

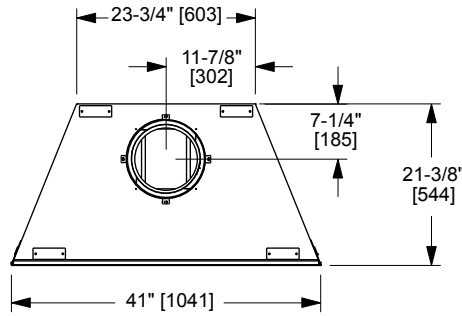


Please consult the manufacturer's installation manual for all details and requirements before making a final design layout decision.

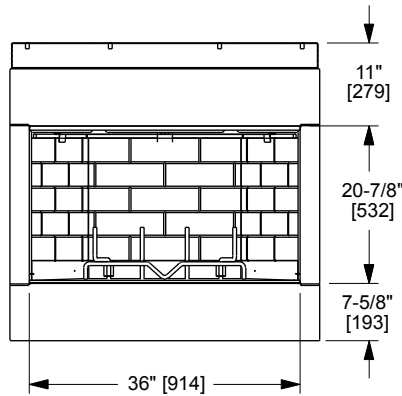
Villawood 36

Outdoor Wood Fireplace

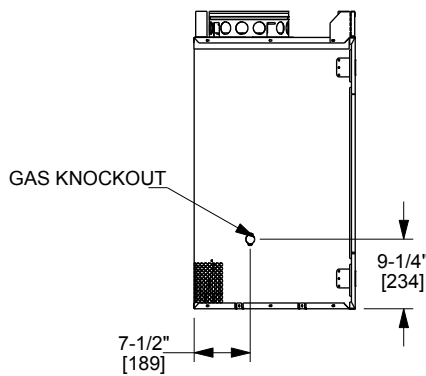
MODEL	FRONT WIDTH		BACK WIDTH		HEIGHT		DEPTH		VIEWING AREA
	Actual	Framing	Actual	Framing	Actual	Framing	Actual	Framing	
ODVILLA-36	41	42	23-3/4	42	39-1/2	39-3/4	21-3/8	21-1/2	36 x 20-7/8



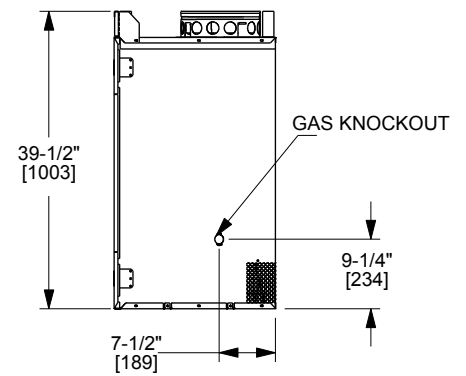
Top View



Front View

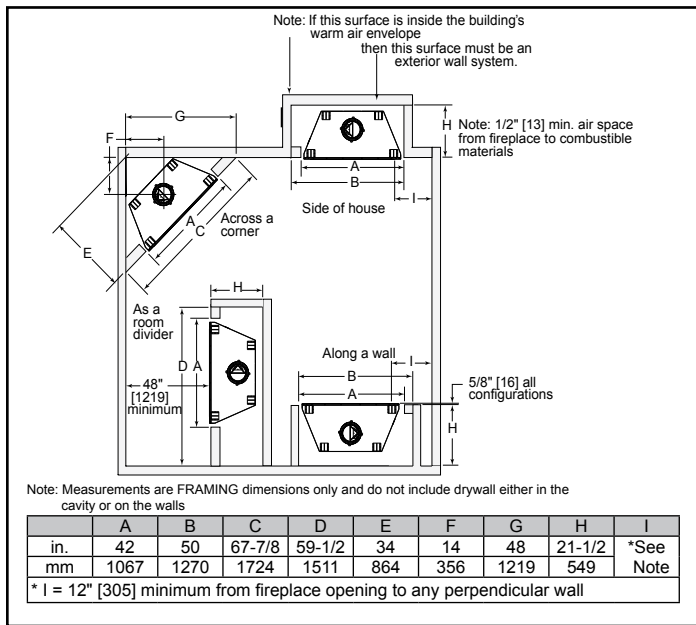


Left View

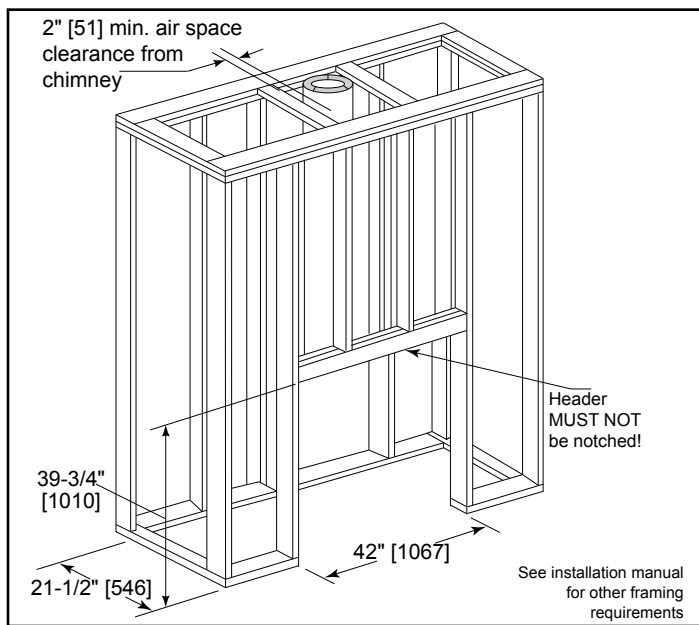


Right View

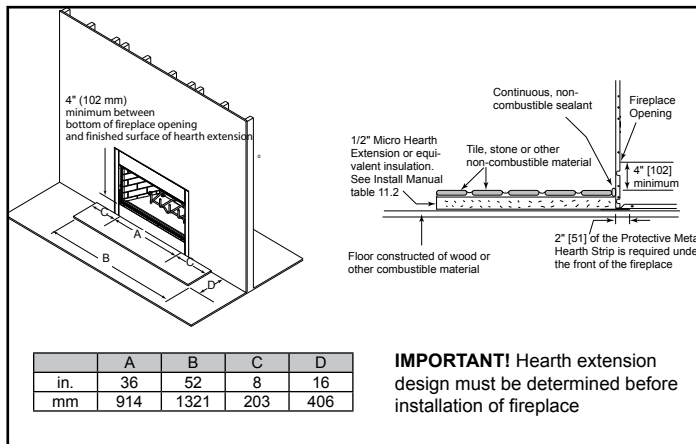
APPLIANCE LOCATION



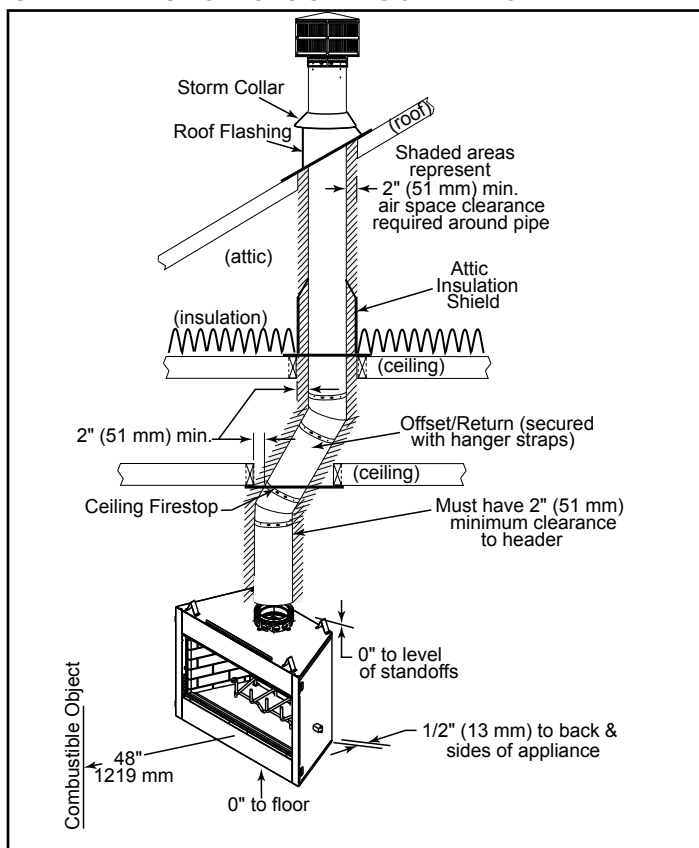
FRAMING DIMENSIONS



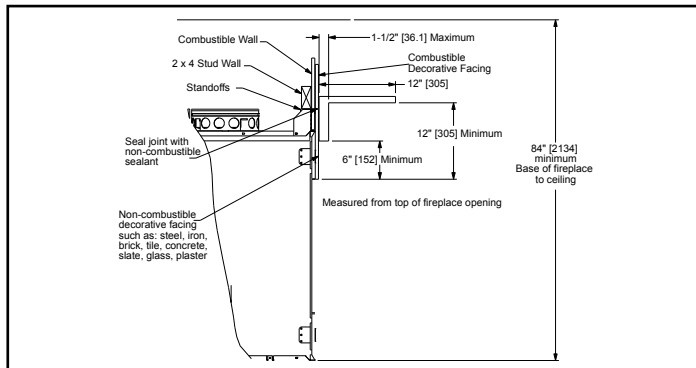
HEARTH EXTENSION



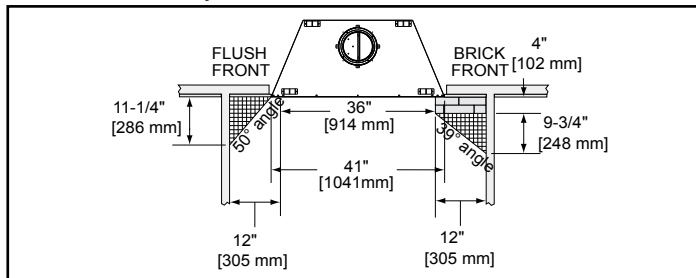
CLEARANCES TO COMBUSTIBLES



MANTEL PROJECTIONS



MANTEL LEG/WALL PROJECTIONS



PRODUCT LISTING CODES	
	UL127

Product information provided is not complete and is subject to change without notice. Product installation must adhere strictly to instructions accompanying product to avoid risk of fire and potential injury.

Additional information can be found online at www.fireplaces.com