

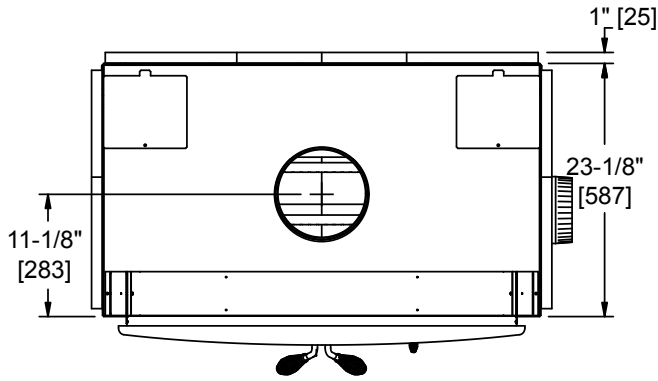


Please consult the manufacturer's installation manual for all details and requirements before making a final design layout decision.

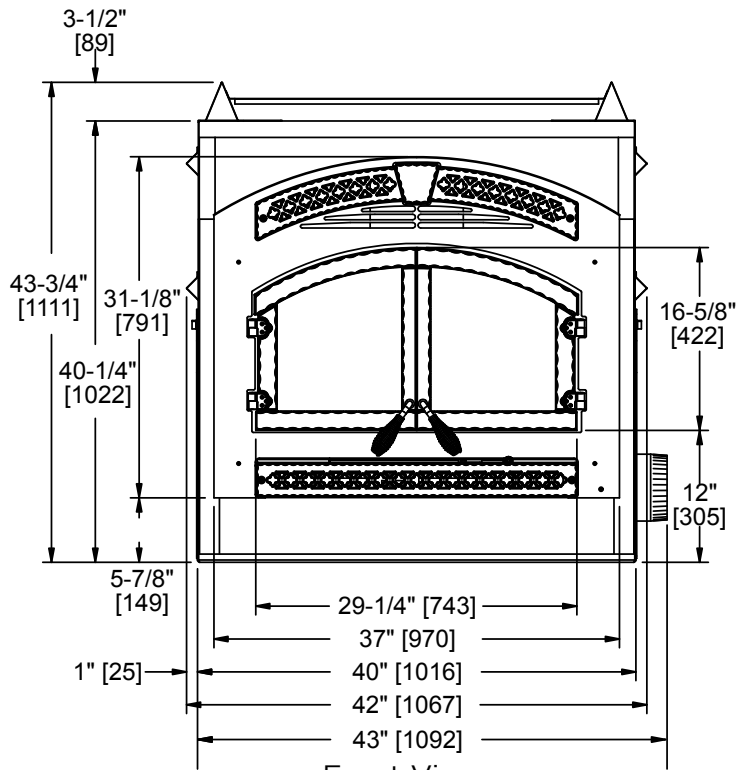
Northstar

Wood-burning Fireplace

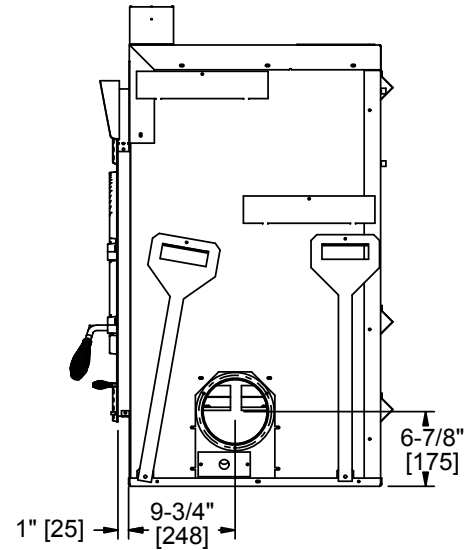
MODEL	FRONT WIDTH		BACK WIDTH		HEIGHT		DEPTH		FIREBOX OPENING
	Actual	Framing	Actual	Framing	Actual	Framing	Actual	Framing	
NORTHSTAR	40	42-1/4	40	42-1/4	40-1/4	43-7/8	23-1/8	24	37 x 31-1/8



Top View

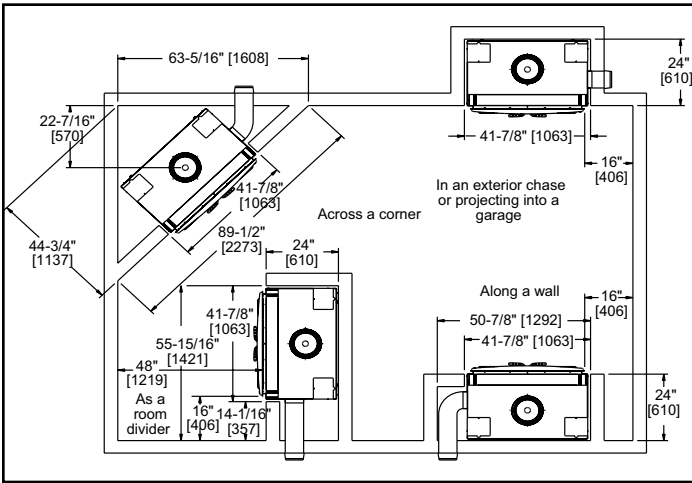


Front View

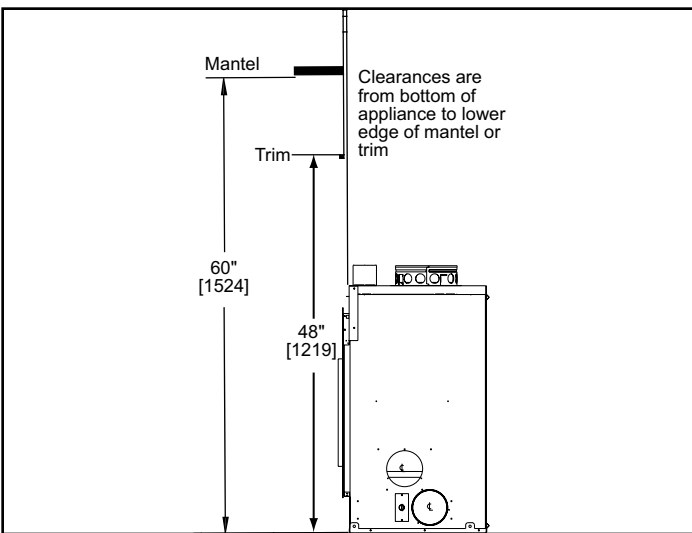


Right Side View

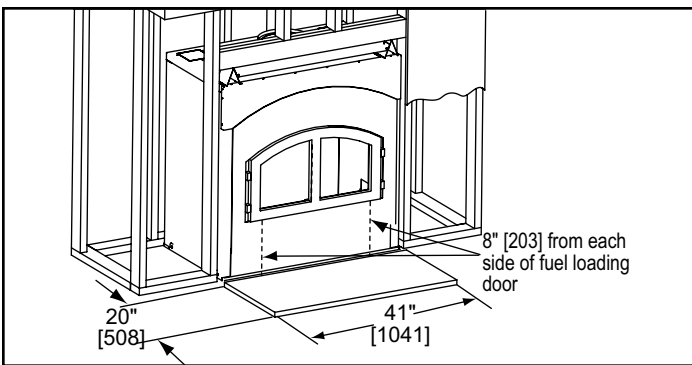
APPLIANCE LOCATION



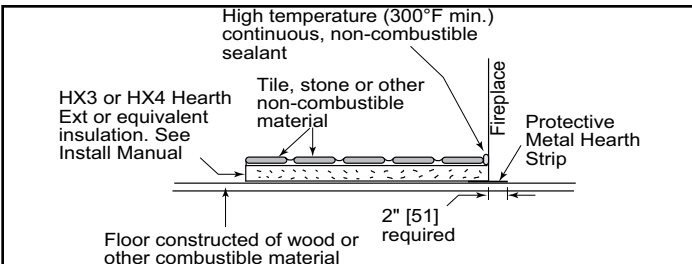
MANTEL PROJECTIONS



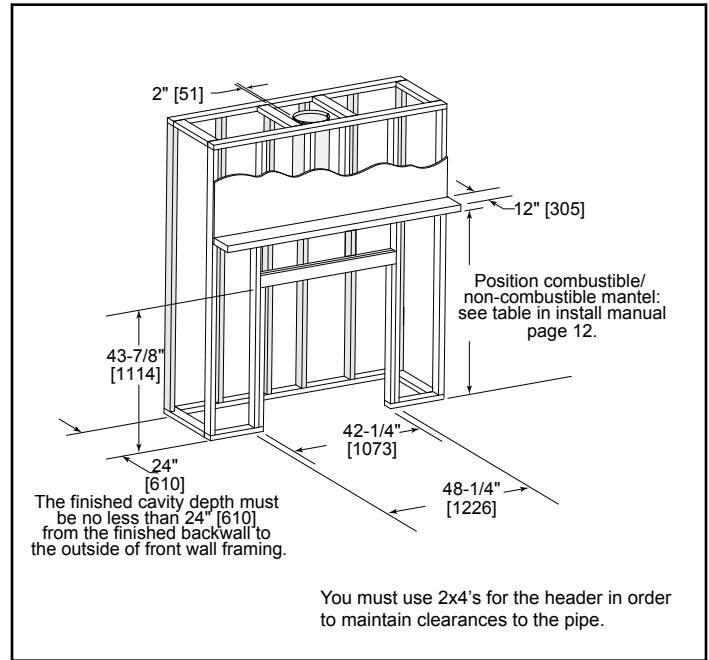
HEARTH EXTENSION



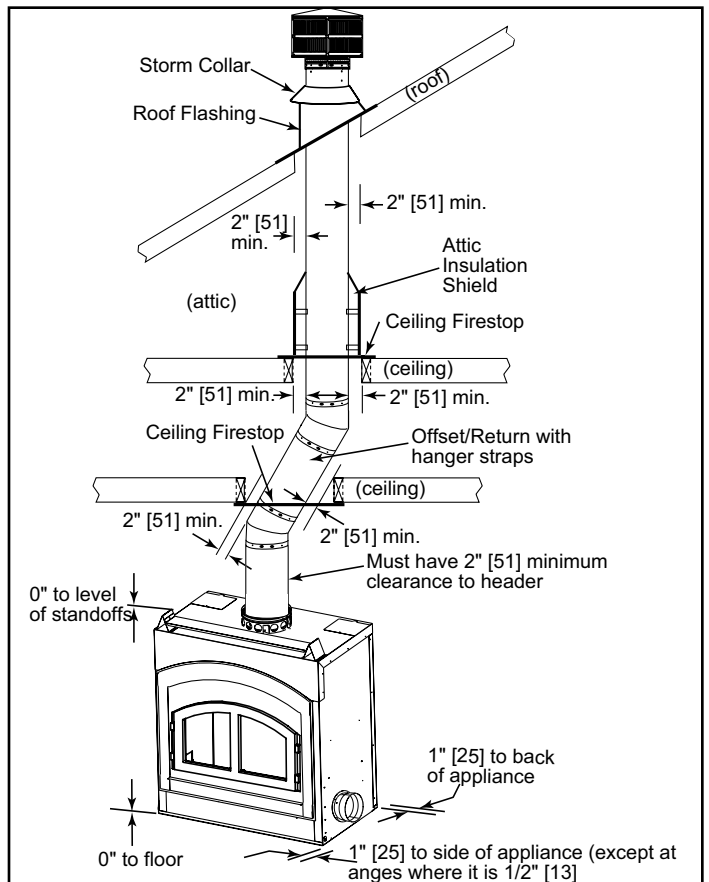
HEARTH EXTENSION CONSTRUCTION



FRAMING DIMENSIONS



CLEARANCE TO COMBUSTIBLES



PRODUCT LISTING CODES	
US	UL 127
CAN	ULC-S610-M87

Product information provided is not complete and is subject to change without notice. Product installation must adhere strictly to instructions accompanying product to avoid risk of fire and potential injury.

Additional information can be found online at www.heatnglo.com