

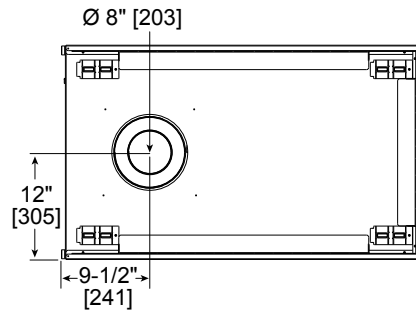


Please consult the manufacturer's installation manual for all details and requirements before making a final design layout decision.

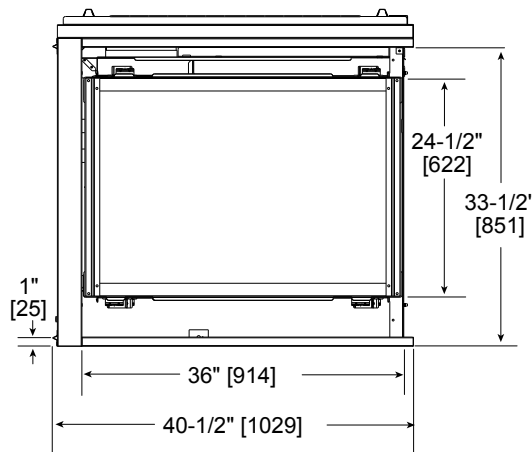
# GDFL4136

## Direct Vent Gas Fireplace

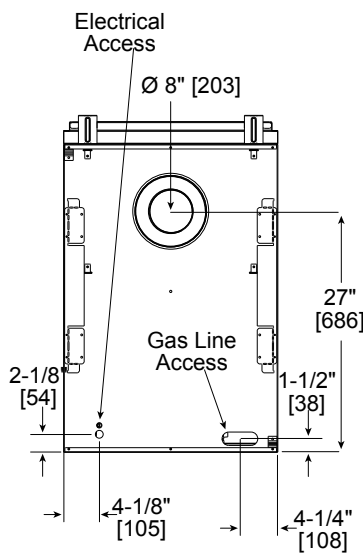
MODEL	FRONT WIDTH		BACK WIDTH		HEIGHT		DEPTH		VIEWING AREA
	Actual	Framing	Actual	Framing	Actual	Framing	Actual	Framing	
GDFL4136	40-1/2	40	40-1/2	40	38	38-1/8	24	23	36 x 24-1/2



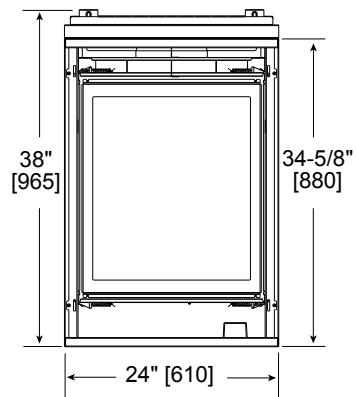
Top View



Front View



Left View

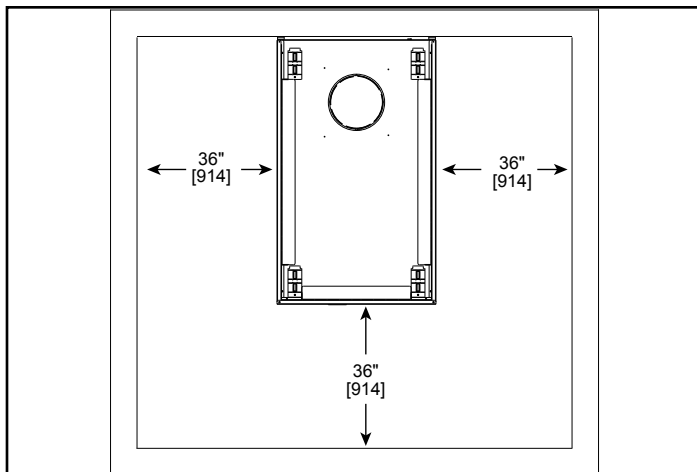


Right View

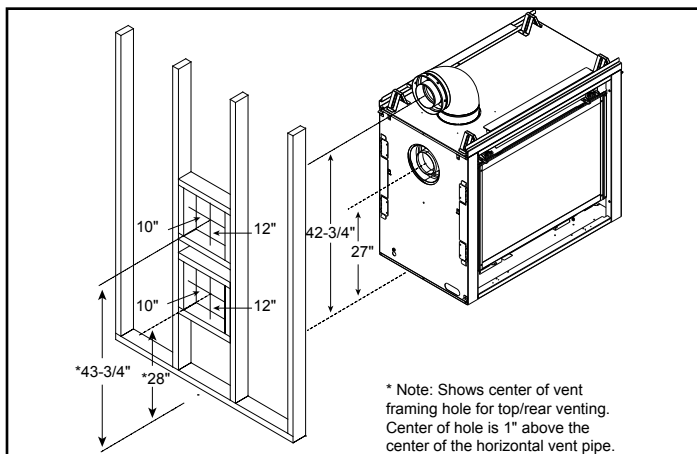
**MINIMUM FIREPLACE CLEARANCES**

AREA	TO COMBUSTIBLES
CLEARANCE TO CEILING	31-5/8
COMBUSTIBLE/NON-COMBUSTIBLE FLOOR	0
ENDS OF APPLIANCE	1/2
GLASS SIDES OF APPLIANCE	36

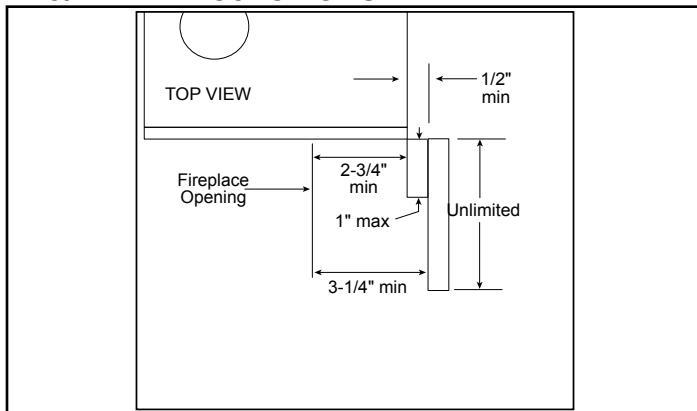
**APPLIANCE LOCATION**



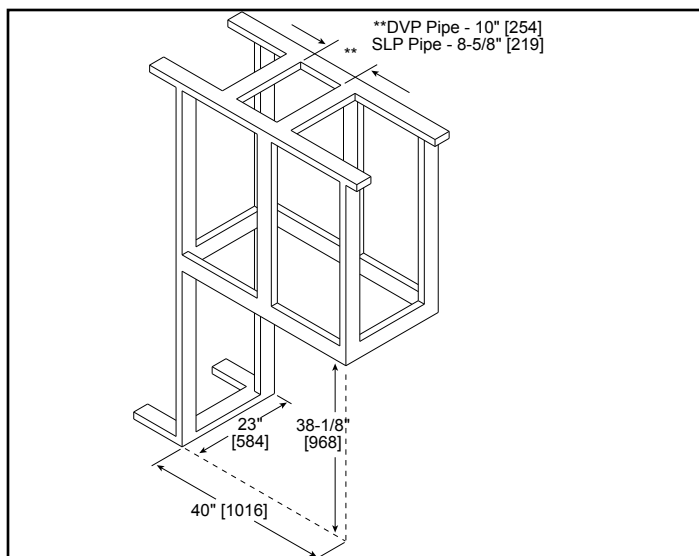
**WALL PENETRATION**



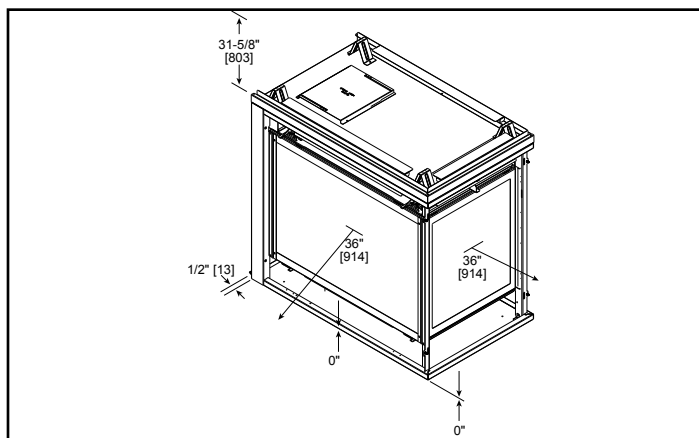
**LEG/WALL PROJECTIONS**



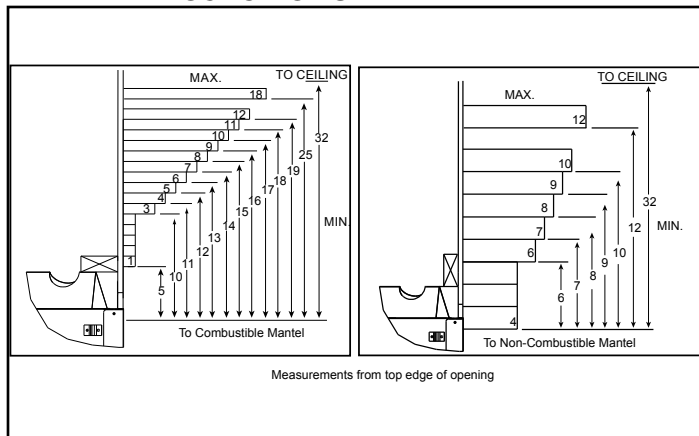
**FRAMING DIMENSIONS**



**CLEARANCES TO COMBUSTIBLES**



**MANTEL PROJECTIONS**



PRODUCT LISTING CODES	
US	ANSI Z21.88-2007
CAN	CSA 2.33a-2007
US LISTED	UL307B

Product information provided is not complete and is subject to change without notice. Product installation must adhere strictly to instructions accompanying product to avoid risk of fire and potential injury.

Additional information can be found online at [www.heatilator.com](http://www.heatilator.com)