

# Owner's Manual

## Operation & Care

**INSTALLER:** Leave this manual with party responsible for use and operation.

**OWNER:** Retain this manual for future reference.

Contact your dealer with questions on installation, operation, or service.

# QUADRA-FIRE®

Explorer I

Model(s):

*EXPLR-I-MBK*

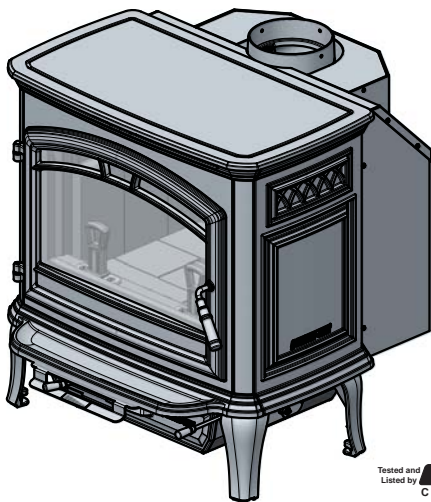
*EXPLR-I-PFT*

*EXPLR-I-PBK*

*EXPLR-I-PMH*

*EXPLR-I-PDB*

**NOTICE: DO NOT DISCARD THIS MANUAL**



Tested and  
Listed by  Portland  
US Oregon USA  
OMNI-Test Laboratories, Inc.

### WARNING



#### Fire Risk.

For use with solid wood fuel only.  
Other fuels may over-fire and generate  
poisonous gases (i.e. carbon monoxide).

### WARNING



If the information in these instructions is not followed exactly, a fire may result causing property damage, personal injury, or death.

- Do not store or use gasoline or other flammable vapors and liquids in the vicinity of this or any other appliance.
- Do not over-fire - If heater or chimney connector glows, you are over-firing. Over-firing will void your warranty.
- Comply with all minimum clearances to combustibles as specified. Failure to comply may cause house fire.

### WARNING



#### HOT SURFACES!

Glass and other surfaces are hot during operation AND cool down.

#### Hot glass will cause burns.

- Do not touch glass until it is cooled
- NEVER allow children to touch glass
- Keep children away
- CAREFULLY SUPERVISE children in same room as appliance.
- Alert children and adults to hazards of high temperatures
- **High temperatures may ignite clothing or other flammable materials.**
- Keep clothing, furniture, draperies and other flammable materials away.

### NOTE

To obtain a French translation of this manual, please contact your dealer or visit [www.quadrafire.com](http://www.quadrafire.com)

Pour obtenir une traduction française de ce manuel, s'il vous plaît contacter votre revendeur ou visitez [www.quadrafire.com](http://www.quadrafire.com)

myhht  
FACTORY  
training

Installation and service of this appliance should be performed by qualified personnel. Hearth & Home Technologies recommends HHT Factory Trained or NFI certified professionals.



# Congratulations



and Welcome to the Quadra-Fire Family!

## A. Congratulations

Hearth & Home Technologies welcomes you to our tradition of excellence! In choosing a Quadra-Fire appliance, you have our assurance of commitment to quality, durability, and performance.

This commitment begins with our research of the market, including 'Voice of the Customer' contacts, ensuring we make products that will satisfy your needs. Our Research and Development facility then employs the world's most

advanced technology to achieve the optimum operation of our appliances, inserts and fireplaces. And yet we are old-fashioned when it comes to craftsmanship. Each appliance is meticulously fabricated and gold and nickel surfaces are hand-finished for lasting beauty and enjoyment. Our pledge to quality is completed as each model undergoes a quality control inspection.

We wish you and your family many years of enjoyment in the warmth and comfort of your hearth appliance. Thank you for choosing Quadra-Fire.

**NOTE: Clearances may only be reduced by means approved by the regulatory authority having jurisdiction**

## B. Sample of Serial Number / Safety Label

LOCATION: Back of appliance

**EXPLORER I WOOD STOVE**

TESTED TO TESTE A NOTHING BURNS LIKE A QUADRA-FIRE

REPORT: 0016VSD91S

VENTILATION

MINIMUM CLEARANCES TO COMBUSTIBLES: IN INCHES & (MILLIMETERS)

NOTE: "A" "C" & "F" DIMENSIONS ARE TO INSIDE DIAMETER OF THE FUEL COLLAR.

INSTALLATION	A	B	C	D	E	F	G	H	I	J
SINGLE WALL PIPE	17 (432)	12.5 (318)	24 (607)	11 (279)	18 (457)	53.5 (1359)	NA	NA	NA	NA
DOUBLE WALL PIPE	13.5 (343)	9 (229)	23 (584)	10 (254)	15 (381)	53.5 (1359)	NA	NA	NA	NA

INSTALLATION: 90° ELBOW OFF TOP OF STOVE TO BACK OF APPLIANCE / 90° DU COUBREURE AU DESSUS DU POEL AVERS LE MUR ARRIERE

SINGLE WALL PIPE: 17 (432) 12.5 (318) 24 (607) NA 18 (457) 53.5 (1359) 18 (457) NA NA CONDUIT DU MUR SIMPLE

DOUBLE WALL PIPE: 13.5 (343) 9 (229) 23 (584) NA 15 (381) 53.5 (1359) NA NA CONDUIT DU MUR DOUBLE

INSTALLATION: HORIZONTAL WALL

SINGLE & DOUBLE WALL PIPE: 24 (607) 11 (279) NA 53.5 (1359) 8 (203) 53.5 (1359) CONDUIT DU MUR SIMPLE

Serial No.

Mfg. Date

Model Name

Test Lab & Report No.

**FLOOR PROTECTION:** It is necessary to install a Type II floor protector no less than 3/8 inch (9.5mm) thick with a minimum R value of 1.06, a minimum of 18 inches (460mm) in front of glass, and 8 inches (203mm) to both sides of the fuel loading door. Open the door and measure 8 inches (203mm) from the side edge of the opening in the face of the appliance.

**PROTECTION DU PLANCHER:** Il est nécessaire d'installer un plancher de protection de Type II au moins de 3/8 de pouce (9.5mm) d'épaisseur avec une valeur minimale de R 1.06, un minimum de 18 pouces (460mm) à l'avant de la vitre, et 8 pouces (203mm) pour les deux côtés de la porte de chargement du combustible. Ouvrez la porte et mesurez 8 pouces (203mm) du bord latéral de l'ouverture dans la face de l'appareil.

**BACKWALL/SIDEWALL INSTALLATION:** Maximum depth of Alcove shall be no more than 48 inches (1219mm) with a minimum height of 84 inches (2134mm) from floor to bottom of ceiling, and the top of the alcove shall be no more than 48 inches (1219mm) from the top of the alcove to the top of the ceiling.

**INSTALLATION ALCOVE:** Le maximum de profondeur de l'alcove ne doit pas être de plus de 48 pouces (1219mm) avec une hauteur minimum de 84 pouces (2134mm) du sol au plafond inférieur, et de 48 pouces (1219mm) du haut de l'alcove au plafond supérieur.

**CORNER INSTALLATION:** The corner installation shall be no more than 48 inches (1219mm) from the top of the alcove to the top of the ceiling.

**90 OFF TOP UP & OUT CEILING CLEARANCE:** The clearance from the top of the fuel collar to the top of the ceiling shall be no less than 18 inches (457mm).

**HORIZONTAL THRU WALL:** The horizontal thru wall installation shall be no more than 48 inches (1219mm) from the top of the alcove to the top of the ceiling.

**Safety Alert Key:**

- **DANGER!** Indicates a hazardous situation which, if not avoided will result in death or serious injury.
- **WARNING!** Indicates a hazardous situation which, if not avoided could result in death or serious injury.
- **CAUTION!** Indicates a hazardous situation which, if not avoided, could result in minor or moderate injury.
- **NOTICE:** Indicates practices which may cause damage to the appliance or to property.

**TABLE OF CONTENTS**

<p>A. Congratulations..... 2</p> <p>B. Sample of Serial Number / Safety Label..... 2</p> <p>C. Warranty Policy..... 4</p> <p>D. Quick Start Guide ..... 6</p> <p><b>1 Listing and Code Approvals.....7</b></p> <p>A. Appliance Certification..... 7</p> <p>B. BTU &amp; Efficiency Specifications..... 7</p> <p>C. Mobile Home Approved (USA ONLY) ..... 7</p> <p>D. Glass Specifications ..... 7</p> <p><b>2 Operating Instructions.....8</b></p> <p>A. Over-Firing Your Appliance..... 8</p> <p>B. Wood Selection &amp; Storage..... 8</p> <p>C. Burning Process ..... 8</p> <p>D. Automatic Combustion Control (ACC)..... 9</p> <p>E. Air Controls..... 9</p> <p>F. Burn Rates and Operating Efficiency..... 10</p> <p>G. Building A Fire..... 10</p> <p>H. Correct Baffle &amp; Blanket Placement ..... 11</p> <p>I. Blower Operating Instructions..... 12</p> <p>J. Opacity (Smoke)..... 12</p> <p>K. Negative Pressure ..... 13</p> <p>L. Frequently Asked Questions..... 13</p>	<p><b>3 Maintenance and Service.....14</b></p> <p>A. Quick Reference Maintenance Guide.....14</p> <p>B. Creosote (Chimney) Cleaning .....15</p> <p>C. Ash Removal System (ARS) Operating and Cleaning.....15</p> <p>D. Disposal of Ashes .....16</p> <p>E. Glass Cleaning .....16</p> <p><b>4 Troubleshooting Guide.....17</b></p> <p><b>5 Service Part Replacement.....18</b></p> <p>A. Glass Replacement .....18</p> <p>B. Firebrick Replacement .....18</p> <p>C. Snap Disc Replacement .....19</p> <p>D. Door Handle Assembly.....19</p> <p>E. Baffle Removal .....19</p> <p>F. Tube Channel Assembly Replacement .....20</p> <p><b>6 Reference Materials.....21</b></p> <p>A. Service &amp; Maintenance Log.....21</p> <p>B. Service Parts &amp; Accessories.....22</p> <p>C. Home Owner Notes .....27</p>
--	---

C. Warranty Policy

**Hearth & Home Technologies  
LIMITED LIFETIME WARRANTY**

Hearth & Home Technologies, on behalf of its hearth brands (“HHT”), extends the following warranty for HHT gas, wood, pellet, coal and electric hearth appliances that are purchased from an HHT authorized dealer.

**WARRANTY COVERAGE:**

HHT warrants to the original owner of the HHT appliance at the site of installation, and to any transferee taking ownership of the appliance at the site of installation within two years following the date of original purchase, that the HHT appliance will be free from defects in materials and workmanship at the time of manufacture. After installation, if covered components manufactured by HHT are found to be defective in materials or workmanship during the applicable warranty period, HHT will, at its option, repair or replace the covered components. HHT, at its own discretion, may fully discharge all of its obligations under such warranties by replacing the product itself or refunding the verified purchase price of the product itself. The maximum amount recoverable under this warranty is limited to the purchase price of the product. This warranty is subject to conditions, exclusions and limitations as described below.

**WARRANTY PERIOD:**

Warranty coverage begins on the date of original purchase. In the case of new home construction, warranty coverage begins on the date of first occupancy of the dwelling or six months after the sale of the product by an independent, authorized HHT dealer/ distributor, whichever occurs earlier. The warranty shall commence no later than 24 months following the date of product shipment from HHT, regardless of the installation or occupancy date. The warranty period for parts and labor for covered components is produced in the following table.

The term “Limited Lifetime” in the table below is defined as: 20 years from the beginning date of warranty coverage for gas appliances, and 10 years from the beginning date of warranty coverage for wood, pellet, and coal appliances. These time periods reflect the minimum expected useful lives of the designated components under normal operating conditions.

Warranty Period		HHT Manufactured Appliances and Venting							Components Covered
Parts	Labor	Gas	Wood	Pellet	EPA Wood	Coal	Electric	Venting	
1 Year		X	X	X	X	X	X	X	All parts and material except as covered by Conditions, Exclusions, and Limitations listed
2 years				X	X	X			Igniters, electronic components, and glass
		X	X	X	X	X			Factory-installed blowers
			X						
3 years				X					Ignition Modules
5 years				X	X				Firepots and burnpots
1 year				X	X				Castings and baffles
7 years			X	X	X				Manifold tubes, HHT chimney and termination
3 years			X	X	X				
10 years	1 year	X							Burners, logs and refractory
Limited Lifetime	3 years	X	X	X	X	X			Firebox and heat exchanger
90 Days		X	X	X	X	X	X	X	All replacement parts beyond warranty period

See conditions, exclusions, and limitations on next page.

**WARRANTY CONDITIONS:**

- This warranty only covers HHT appliances that are purchased through an HHT authorized dealer or distributor. A list of HHT authorized dealers is available on the HHT branded websites.
- This warranty is only valid while the HHT appliance remains at the site of original installation.
- This warranty is only valid in the country in which the HHT authorized dealer or distributor that sold the appliance resides.
- Contact your installing dealer for warranty service. If the installing dealer is unable to provide necessary parts, contact the nearest HHT authorized dealer or supplier. Additional service fees may apply if you are seeking warranty service from a dealer other than the dealer from whom you originally purchased the product.
- Check with your dealer in advance for any costs to you when arranging a warranty call. Travel and shipping charges for parts are not covered by this warranty.

**WARRANTY EXCLUSIONS:**

This warranty does not cover the following:

- Changes in surface finishes as a result of normal use. As a heating appliance, some changes in color of interior and exterior surface finishes may occur. This is not a flaw and is not covered under warranty.
- Damage to printed, plated, or enameled surfaces caused by fingerprints, accidents, misuse, scratches, melted items, or other external sources and residues left on the plated surfaces from the use of abrasive cleaners or polishes.
- Repair or replacement of parts that are subject to normal wear and tear during the warranty period. These parts include: paint, wood, pellet and coal gaskets, firebricks, grates, flame guides, batteries and the discoloration of glass.
- Expansion, contraction, or movement of certain parts causing noise. These conditions are normal and complaints related to this noise are not covered by this warranty.
- Damages resulting from: (1) failure to install, operate, or maintain the appliance in accordance with the installation instructions, operating instructions, and listing agent identification label furnished with the appliance; (2) failure to install the appliance in accordance with local building codes; (3) shipping or improper handling; (4) improper operation, abuse, misuse, continued operation with damaged, corroded or failed components, accident, or improperly/incorrectly performed repairs; (5) environmental conditions, inadequate ventilation, negative pressure, or drafting caused by tightly sealed constructions, insufficient make-up air supply, or handling devices such as exhaust fans or forced air furnaces or other such causes; (6) use of fuels other than those specified in the operating instructions; (7) installation or use of components not supplied with the appliance or any other components not expressly authorized and approved by HHT; (8) modification of the appliance not expressly authorized and approved by HHT in writing; and/or (9) interruptions or fluctuations of electrical power supply to the appliance.
- Non-HHT venting components, hearth components or other accessories used in conjunction with the appliance.
- Any part of a pre-existing fireplace system in which an insert or a decorative gas appliance is installed.
- HHT's obligation under this warranty does not extend to the appliance's capability to heat the desired space. Information is provided to assist the consumer and the dealer in selecting the proper appliance for the application. Consideration must be given to appliance location and configuration, environmental conditions, insulation and air tightness of the structure.

**This warranty is void if:**

- The appliance has been over-fired or operated in atmospheres contaminated by chlorine, fluorine, or other damaging chemicals. Over-firing can be identified by, but not limited to, warped plates or tubes, rust colored cast iron, bubbling, cracking and discoloration of steel or enamel finishes.
- The appliance is subjected to prolonged periods of dampness or condensation.
- There is any damage to the appliance or other components due to water or weather damage which is the result of, but not limited to, improper chimney or venting installation.

**LIMITATIONS OF LIABILITY:**

- The owner's exclusive remedy and HHT's sole obligation under this warranty, under any other warranty, express or implied, or in contract, tort or otherwise, shall be limited to replacement, repair, or refund, as specified above. In no event will HHT be liable for any incidental or consequential damages caused by defects in the appliance. Some states do not allow exclusions or limitation of incidental or consequential damages, so these limitations may not apply to you. This warranty gives you specific rights; you may also have other rights, which vary from state to state. EXCEPT TO THE EXTENT PROVIDED BY LAW, HHT MAKES NO EXPRESS WARRANTIES OTHER THAN THE WARRANTY SPECIFIED HEREIN. THE DURATION OF ANY IMPLIED WARRANTY IS LIMITED TO DURATION OF THE EXPRESSED WARRANTY SPECIFIED ABOVE.

D. Quick Start Guide

**Note:** These are generic drawings and may not represent your specific model.

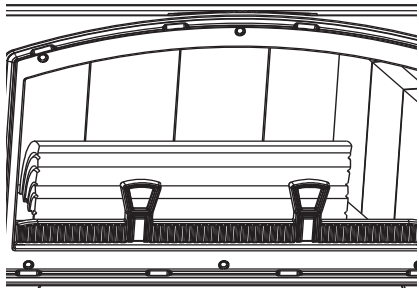
**ITEMS NEEDED FOR FIRST FIRE:** 10 Pieces of Newspaper, 10-20 Pieces of Dry Kindling and a Few Pieces of Dry Split Wood.

**OPEN AIR CONTROLS**

see section E on page 9

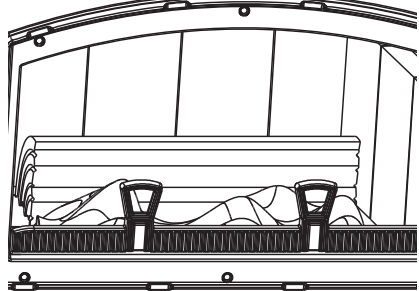
**1**

**LOAD WOOD**



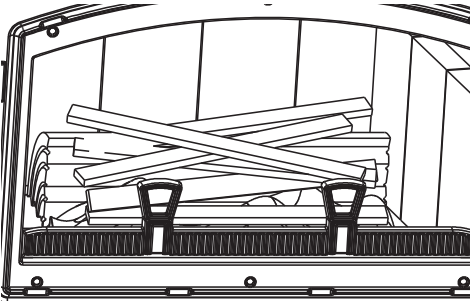
**2**

**ADD NEWSPAPER**



**3**

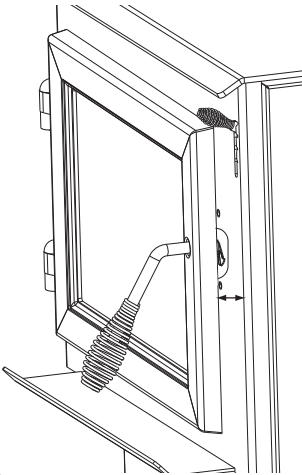
**ADD KINDLING**



**LIGHT THE PAPER**

**4**

**WARNING! Risk of Fire**



Close and securely latch the door after the fire has started, and after refueling, to prevent:

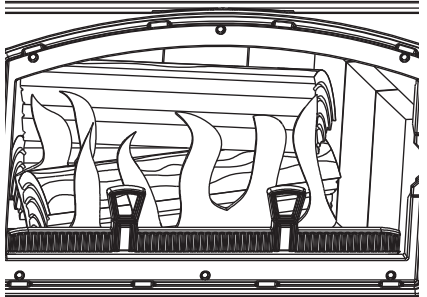
- Spillage of smoke, flame and carbon monoxide
- Spillage of sparks, coals and logs
- Over-firing

DO NOT leave the appliance unattended with the door open.

Starting a fire may not require an open door for draft. The air control should supply adequate draft.

**5**

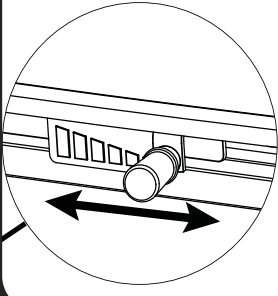
**ADD MORE WOOD**



**6**

**ADJUST AIR CONTROL**

Set to desired heat output



**7**

**The appliance is ready for normal operation.**

# 1 Listing and Code Approvals

## A. Appliance Certification

<b>Model:</b>	Explorer I
<b>Laboratory:</b>	OMNI Test Laboratories Inc.
<b>Report No:</b>	0061WS091S
<b>Type:</b>	Safety
<b>Standard:</b>	UL 1482-11 & 737-11; ULC S627-00

NOTE: This installation must conform with local codes. In the absence of local codes you must comply with the UL1482-07, (UM) 84-HUD and NPFA211 in the U.S.A. and the ULC S627-00 and CAN/CSA-B365 Installation Codes in Canada. **NOT APPROVED FOR MOBILE HOME INSTALLATIONS IN CANADA!**

## B. BTU & Efficiency Specifications

EPA Certified Emissions:	2.2 grams per hour
*LHV Tested Efficiency:	80.1%
**HHV Tested Efficiency:	74.1%
***EPA BTU Output:	12,100 to 32,000 / hr.
****Peak BTU/Hour Output:	52,400
Vent Size:	6 inches
Firebox Size:	1.68 cubic feet
Recommended Log Length	16 inches
Fuel Orientation:	Side to Side
Fuel	Seasoned Cord Wood
*Weighted average LHV (Low Heating Value) efficiency using Douglas Fir dimensional lumber and data collected during EPA emission test. LHV assumes the moisture is already in a vapor state so there is no loss in energy to vaporize.	
**Weighted average HHV (High Heating Value) efficiency using Douglas Fir dimensional lumber and data collected during EPA emission test. HHV includes the energy required to vaporize the water in the fuel.	
***A range of BTU outputs based on EPA Default Efficiency and the burn rates from the low and high EPA tests, using Douglas Fir dimensional lumber.	
****The peak BTU out of the appliance is calculated using the maximum first hour burn rate from the High EPA Test and the BTU content of cordwood (8600) times the efficiency.	

The Quadra-Fire Explorer I meets the U.S. Environmental Protection Agency's 2015 particulate emission standards.


This appliance needs periodic inspection and repair for proper operation. It is against federal regulations to operate this appliance in a manner inconsistent with operating instructions in this manual.


## C. Mobile Home Approved (USA ONLY)

- This appliance is approved for mobile home installations in the USA when not installed in a sleeping room and when an outside combustion air inlet is provided.
- The structural integrity of the mobile home floor, ceiling, and walls must be maintained.
- The appliance must be properly grounded to the frame of the mobile home with #8 copper ground wire.
- Outside Air Kit, part OAK-ACC must be installed in a mobile home installation.

## D. Glass Specifications

This appliance is equipped with 5mm ceramic glass. Replace glass only with 5mm ceramic glass. Please contact your dealer for replacement glass.


WARNING



**Fire Risk.**

Hearth & Home Technologies disclaims any responsibility for, and the warranty will be voided by, the following actions:

- Installation and use of any damaged appliance.
- Modification of the appliance.
- Installation other than as instructed by Hearth & Home Technologies.
- Installation and/or use of any component part not approved by Hearth & Home Technologies.
- Operating appliance without fully assembling all components.
- Operating appliance without legs attached (if supplied with appliance).
- Do NOT Over-fire - If appliance or chimney connector glows, you are over-firing.

Any such action that may cause a fire hazard.

Improper installation, adjustment, alteration, service or maintenance can cause injury or property damage. For assistance or additional information, consult a qualified installer, service agency or your dealer.



NOTE: Hearth & Home Technologies, manufacturer of this appliance, reserves the right to alter its products, their specifications and/or price without notice.

Quadra-Fire is a registered trademark of Hearth & Home Technologies.

# User Guide

## 2 Operating Instructions

### A. Over-Firing Your Appliance

 <b>WARNING</b>	
	<b>Fire Risk</b>
	Do not over-fire. Over-firing may ignite creosote or will damage the appliance and chimney.
To prevent over-firing your appliance, DO NOT:	
<ul style="list-style-type: none"> <li>• Use flammable liquids</li> <li>• Overload with wood</li> <li>• Burn trash or large amounts of scrap lumber</li> <li>• Permit too much air to the fire</li> </ul>	

#### 1. Symptoms of Over-Firing

Symptoms of over-firing may include one or more of the following:

- Chimney connector or appliance glowing
- Roaring, rumbling noises
- Loud cracking or banging sounds
- Metal warping
- Chimney fire

#### 2. What To Do if Your Appliance is Over-Firing

- Immediately close the door and air controls to reduce air supply to the fire.
- If you suspect a chimney fire, call the fire department and evacuate your house.
- Contact your local chimney professional and have your appliance and appliance pipe inspected for any damage.
- Do not use your appliance until the chimney professional informs you it is safe to do so.

Hearth & Home Technologies WILL NOT warranty appliances that exhibit evidence of over-firing. Evidence of over-firing includes, but is not limited to:

- Warped air tube
- Deteriorated refractory brick retainers
- Deteriorated baffle and other interior components

### B. Wood Selection & Storage

Burn only dry seasoned wood. Store wood under cover, out of the rain and snow. Dry and well-seasoned wood will not only minimize the chance of creosote formation, but will give you the most efficient fire. Even dry wood contains at least 15% moisture by weight, and should be burned hot enough to keep the chimney hot for as long as it takes to dry the wood out - about one hour. It is a waste of energy to burn unseasoned wood of any kind.

Dead wood lying on the forest floor should be considered wet, and requires full seasoning time. Standing dead wood can be considered to be about 2/3 seasoned. To tell if wood is dry enough to burn, check the ends of the logs. If there are cracks radiating in all directions from the center, it is dry. If your wood sizzles in the fire, even though the surface is dry, it may not be fully cured.

Splitting wood before it is stored reduces drying time. Wood should be stacked so that both ends of each piece are exposed to air, since more drying occurs through the cut ends than the sides. This is true even with wood that has been split. Store wood under cover, such as in a shed, or covered with a tarp, plastic, tar paper, sheets of scrap plywood, etc., as uncovered wood can absorb water from rain or snow, delaying the seasoning process.

### C. Burning Process

In recent years there has been an increasing concern about air quality. Much of the blame for poor air quality has been placed on the burning of wood for home heating. In order to improve the situation, we at Quadra-Fire have developed cleaner-burning wood appliances that surpass the requirements for emissions established by our governing agencies. These wood appliances, like any other appliances, must be properly operated in order to insure that they perform the way they are designed to perform.

#### 1. Kindling or First Stage

It helps to know a little about the actual process of burning in order to understand what goes on inside an appliance. The first stage of burning is called the kindling stage. In this stage, the wood is heated to a temperature high enough to evaporate the moisture which is present in all wood. The wood will reach the boiling point of water (212°F) and will not get any hotter until the water is evaporated. This process takes heat from the coals and tends to cool the appliance.

Fire requires three things to burn - fuel, air and heat. So, if heat is robbed from the appliance during the drying stage, the new load of wood has reduced the chances for a good clean burn. For this reason, it is always best to burn dry, seasoned firewood. When the wood isn't dry, you must open the air controls and burn at a high burn setting for a longer time to start it burning. The heat generated from the fire should be warming your home and establishing the flue draft, not evaporating the moisture out of wet, unseasoned wood, resulting in wasted heat.

#### 2. Second Stage

The next stage of burning, the secondary stage, is the period when the wood gives off flammable gases which burn above the fuel with bright flames. During this stage of burning it is very important that the flames be maintained and not allowed to go out. This will ensure the cleanest possible fire. If the



flames tend to go out, the air control it is set too low for your burning conditions. The air control located below the ash lip is used to adjust for burn rates. This is called the Burn Rate Air Control. **Figure 9.1**

### 3. Final Stage

The final stage of burning is the charcoal stage. This occurs when the flammable gases have been mostly burned and only charcoal remains. This is a naturally clean portion of the burn. The coals burn with hot blue flames.

It is very important to reload your appliance while enough lively hot coals remain in order to provide the amount of heat needed to dry and rekindle the next load of wood. It is best to open the Burn Rate Air and Start-Up Air Controls **before reloading**. This livens up the coal bed and reduces excessive emissions (opacity/smoke). Open door slowly so that ash or smoke does not exit appliance through opening. You should also break up any large chunks and distribute the coals so that the new wood is laid on hot coals.

Air quality is important to all of us, and if we choose to use wood to heat our homes we should do so responsibly. To do this we need to learn to burn our appliances in the cleanest way possible. Doing this will allow us to continue using our wood appliances for many years to come.

## D. Automatic Combustion Control (ACC)

Typically, when you build a fire, you open the air controls fully and monitor the fire to prevent it from going into an over-fire situation and/or burning your wood up too quickly before you shut down the air controls to the desired burn rate. With the Automatic Combustion Control (ACC) system, you do not have to continually monitor the fire. Once you set the ACC system it will control the fire for you. Follow the instructions below to learn how to operate your appliance with ease.

## E. Air Controls

### 1. Burn Rate Air Control

This air supply enters at the lower front of the firebox, near the bottom of the glass door. This preheated air supplies the necessary fresh oxygen to mix with the unburned gases, helping to create second, third and fourth combustions. This air is regulated by the Burn Rate Air Control. There are four settings High, Medium-High, Medium-Low and Low. When the control is moved all the way to the left it is on the High setting and when moved all the way to the right it is on the Low setting. **Figure 9.1**


### 2. Start-Up Air Control

The Start-Up Air Control has two primary functions. The first function is to activate the Automatic Combustion Control system (ACC). This function is performed by pushing the control all the way back until it stops and then pulling forward to the front of the appliance until it stops. This activates the ACC system and opens the front air channel and allows air to enter the front of the appliance for approximately 25 minutes. The front air channel gradually shuts down until it is completely

closed at the end of the 25 minutes. The fire is now controlled by the air supplied by the Burn Rate Air Control. This function should be performed each time you reload the appliance. The second function is to maximize heat output. To achieve a high burn push the ACC Air Control lever in and leave in. This combined with having the main burn rate control lever pushed to the left will deliver the most amount of air needed to achieve the highest amount of heat output. **Figure 9.1**

### 3. Manual Timer Over-Ride

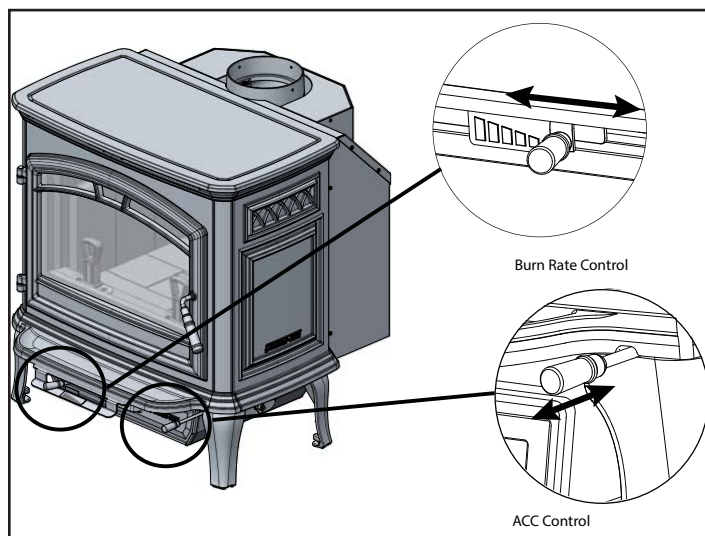
If you need to shut the ACC system off before it shuts itself off after 25 minutes (i.e. over-fire situation), reach down to the bottom right and pull the lever toward you. **Figure 9.2**

 **CAUTION**

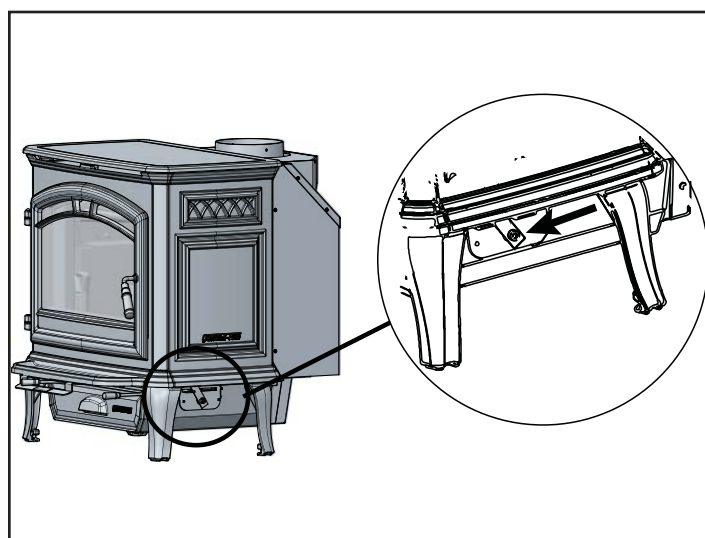


**Injury Risk.**

- Gloves recommended



**Figure 9.1**



**Figure 9.2**

**F. Burn Rates and Operating Efficiency**

**For maximum operating efficiency**

1. This appliance has a timer system (ACC) that operates the appliance at its maximum efficiency removing any guess work for the homeowner. Follow the instructions below for each burn rate for the Start-Up Air Control and Burn Rate Air Control. **Figure 9.1**
2. Burn dry, well-seasoned wood.

**Burn Rates**

Primary control is open when moved to the left...

1. Low burn setting- Burn rate control to stop (full right). Activate the ACC/start-up air.
2. Medium low burn setting- Burn rate control from stop to 1" open (left from low setting). Activate ACC/start-up air.
3. Medium high burn setting- Burn rate control to open (full left). Activate the ACC/start-up air.
4. High burn setting: Burn rate control open (full left) ACC/start-up locked open.

**Note:** 1-3 burn settings require you to activate ACC/ start-up air upon reloading. As well, the fan should remain off for the first 30 minutes. Appliance will slowly return to your desired setting of the burn rate control.

**NOTE: Due to altitude and other circumstances this operation information is a guideline, appliances may run settings not in accordance with these guidelines to achieve same desired burn rates.**

**NOTE:** Operate appliance on High Burn 45 minutes a day to help keep flue/chimney clean.

 **WARNING**

**Risk of Fire.**



When set on High Burn Rate and over-riding the Automatic Combustion Control system an over-fire situation can occur and may result in a chimney fire.

Over-firing will void the appliance warranty.

**G. Building A Fire**

Before lighting your first fire in the appliance:

**NOTE:** The special high temperature paint that your appliance is finished with will cure as your appliance heats. You will notice an odor and perhaps see some vapor rise from the appliance surface; this is normal. We recommend that you open a window until the odor dissipates and paint is cured.

1. Confirm the baffle is correctly positioned. It should be even with the front tube and resting on all tubes. **Figure 11.1 and 11.2 on page 11.**
2. Remove all labels from glass and inside of appliance.

There are many ways to build a fire. The basic principle is to light easily-ignitable tinder or paper, which ignites the fast burning kindling, which in turn ignites the slow-burning firewood. Here is one method that works well:

1. Open the Burn Rate Air and Start-Up Air Controls fully.
2. Place several wads of crushed paper on the firebox floor. Heating the flue with slightly crumpled newspaper before adding kindling keeps smoke to a minimum.
3. Lay small dry sticks of kindling on top of the paper.
4. Make sure that no matches or other combustibles are in the immediate area of the appliance. Be sure the room is adequately ventilated and the flue unobstructed.
5. Light the paper in the appliance. NEVER light or rekindle fire with kerosene, gasoline, or charcoal lighter fluid; the results can be fatal.
6. Once the kindling is burning quickly, add several full-length logs 3 inches (76mm) or 4 inches (102mm) in diameter. Be careful not to smother the fire. Stack the pieces of wood carefully; near enough to keep each other hot, but far enough away from each other to allow adequate air flow between them. To maintain an efficient burn leave a 1/2" space between the highest stacked log and the tube channel assembly.
7. Set the Burn Rate Air Control and activate the start-up air control (ACC).
8. When ready to reload, It is best to fully open both the Burn Rate Air and Start-up Air Controls **before reloading**. This livens up the coal bed and reduces excessive emissions (opacity/smoke). Open door slowly so that ash or smoke does not exit appliance through opening. Large logs burn slowly, holding a fire longer. Small logs burn fast and hot, giving quick heat.
9. As long as there are hot coals, repeating steps 6 through 8 will maintain a continuous fire throughout the season.

**NOTE:**

- Build fire on brick firebox floor.
- Do NOT use grates, andirons or other methods to support fuel. It will adversely affect emissions.

 **WARNING**



**Fire Risk**

Do NOT store wood:

- Closer than required clearances to combustibles to appliance
- Within space required for loading or ash removal.

Do NOT operate appliance:

- With appliance door open.
- With ash removal system door open.

**This wood heater has a manufacturer-set minimum low burn rate that must not be altered. It is against federal regulations to alter this setting or otherwise operate this wood heater in a manner inconsistent with operating instructions in this manual.**

**WARNING**



**Fire Risk.**

- Do NOT burn wet or green wood.
  - Store wood in dry location.
  - Stack wood so both ends are exposed to air.
- Wet, unseasoned wood can cause accumulation of creosote.

**H. Correct Baffle & Blanket Placement**

**WARNING**



**Fire Risk**

Firebox damage due to improper baffle placement is not covered by warranty. Operate the wood burning appliance with the baffle in the correct position only.

Not doing so could result in:

- Reduced efficiency
- Overheating the chimney
- Overheating the rear of the firebox
- Poor performance

Ensure correct baffle placement and replace baffle components if damaged or missing.

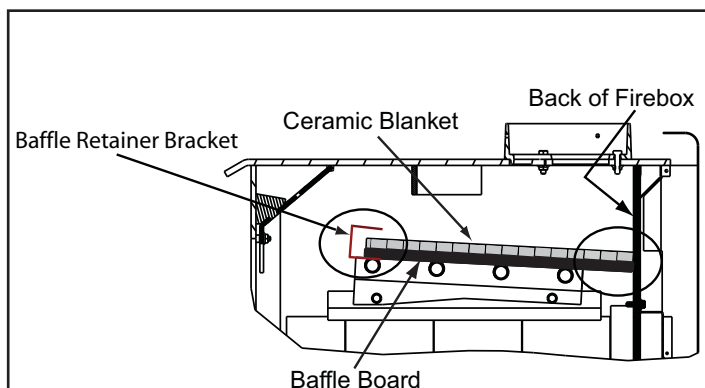
**CAUTION**

The baffle boards are FRAGILE. Use extreme caution when loading firewood to prevent:

- Cracking, breaking or damaging the baffle boards

DO NOT operate the appliance without baffle boards

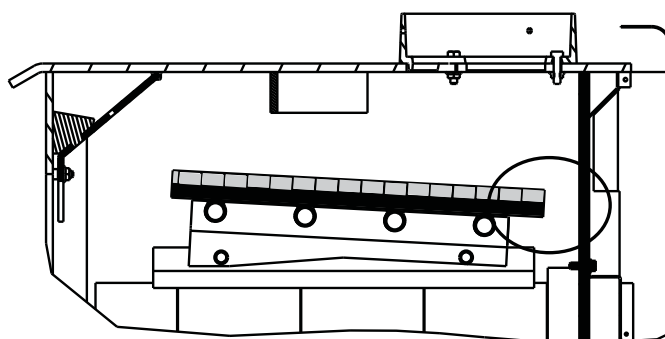
**CORRECT POSITION**



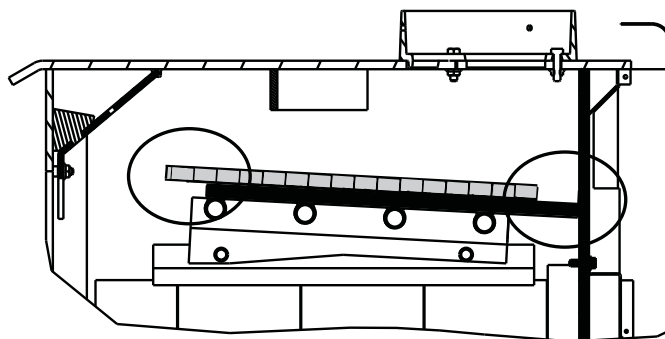
Ceramic Blanket and Baffle Board **MUST** be in contact with the back of the firebox and even with each other in the front.

Figure 11.1

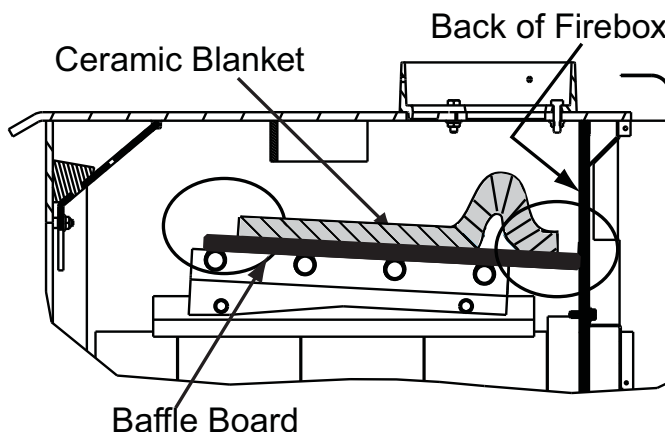
**INCORRECT POSITIONS**



Ceramic Blanket and Baffle Board are **NOT** in contact with the back of the firebox.



Ceramic Blanket is **NOT** in contact with the back of the firebox and **NOT** even with the Baffle Board in the front.



Ceramic Blanket is bunched up at the back of the firebox and **NOT** even with the Baffle Board in the front.

Figure 11.2

## I. Blower Operating Instructions

**NOTE:** If your Quadra-Fire wood appliance is equipped with an optional blower, you should follow these guidelines:

### 1. Initial (cold) start-up and all Burn Settings

The blower can be plugged in and turned on right away. The blower fan is turned on and off by a snap disc. When your appliance has reached a certain temperature the blower will turn on and when your appliance has cooled down to a certain temperature it will turn off.

2. The blower is equipped with a speed control. Adjust the fan speed by turning the speed control clockwise to "Low" or counterclockwise to "High".

3. After refueling, for maximum efficiency and lower emissions, the blower should be off for the first 30 minutes on all burn rates except for High Burn.

### 4. Snap Disc Location

If you find the blower coming on and off at undesirable temperatures, relocate the snap disc to another location in the designated zone on the back of the appliance.

**Figure 12.1** There is a manual over-ride switch to deactivate the snap disc, if necessary.

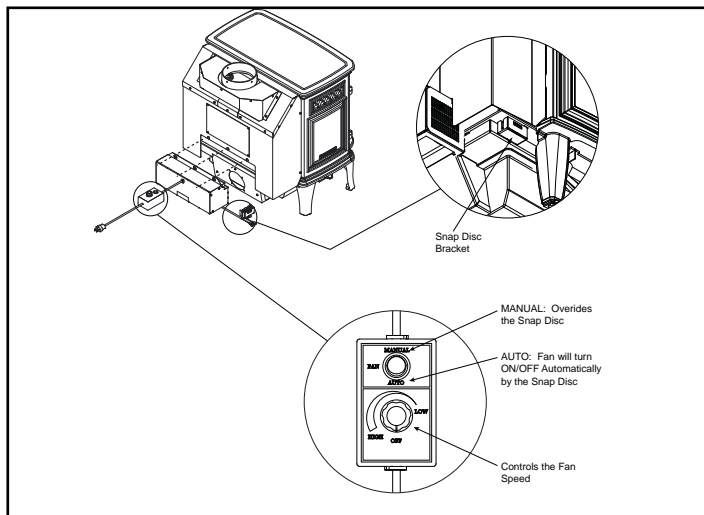


Figure 12.1

## J. Opacity (Smoke)

This is the measure of how cleanly your appliance is burning. Opacity is measured in percent; 100% opacity is when an object is totally obscured by the smoke column from a chimney, and 0% opacity means that no smoke column can be seen. As you become familiar with your appliance, you should periodically check the opacity. This will allow you to know how to burn as nearly smoke-free as possible (goal of 0% opacity).

### WARNING



#### Fire Risk.

- DO NOT BURN GARBAGE OR FLAMMABLE FLUIDS SUCH AS GASOLINE, NAPHTHA OR ENGINE OIL.
  - DO NOT burn treated wood or wood with salt (drift-wood).
  - May generate carbon monoxide if burn material other than wood.
- May result in illness or possible death.

### WARNING



#### Fire Risk.

- Keep combustible materials, gasoline and other flammable vapors and liquids clear of appliance.
- Combustible materials may ignite.
  - Do NOT store flammable materials in the appliance's vicinity.
  - DO NOT USE GASOLINE, LANTERN FUEL, KEROSENE, CHARCOAL LIGHTER FLUID OR SIMILAR LIQUIDS TO START OR "FRESHEN UP" A FIRE IN THIS HEATER.
  - Keep all such liquids well away from the appliance while it is in use.



### CAUTION

When burning your first fire, you will experience smoke and odor from the appliance resulting from the curing of paint and burning off of any oils remaining from manufacturing.

**OPEN WINDOWS DURING INITIAL BURN TO DISSIPATE SMOKE AND ODORS!**

- Odors may be irritating to sensitive individuals.
- Smoke detectors may activate.

## K. Negative Pressure

 <b>WARNING</b>	
	<p><b>Asphyxiation Risk.</b></p> <ul style="list-style-type: none"> <li>Negative pressure can cause spillage of combustion fumes, soot and carbon monoxide.</li> <li>Appliance needs to draft properly for safety.</li> </ul>

Negative pressure results from the imbalance of air available for the appliance to operate properly. It can be strongest in lower levels of the house.

Causes include:

- Exhaust fans (kitchen, bath, etc.)
- Range hoods
- Combustion air requirements for furnaces, water heaters and other combustion appliances
- Clothes dryers
- Location of return-air vents to furnace or air conditioning
- Imbalances of the HVAC air handling system
- Upper level air leaks such as:
  - Recessed lighting
  - Attic hatch
  - Duct leaks

To minimize the effects of negative air pressure:

- Install the outside air kit with the intake facing prevailing winds during the heating season
- Ensure adequate outdoor air for all combustion appliances and exhaust equipment
- Ensure furnace and air conditioning return vents are not located in the immediate vicinity of the appliance
- Avoid installing the appliance near doors, walkways or small isolated spaces
- Recessed lighting should be a “sealed can” design
- Attic hatches weather stripped or sealed
- Attic mounted duct work and air handler joints and seams taped or sealed

## L. Frequently Asked Questions

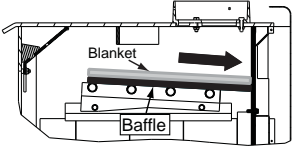
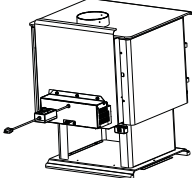
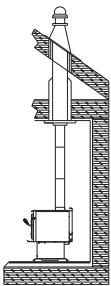
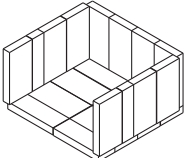
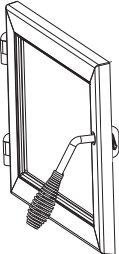
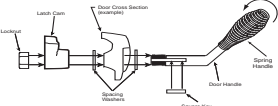
ISSUES	SOLUTIONS
Odor from appliance	When first operated, this appliance may release an odor for the first several hours. This is caused by the curing of the paint and the burning off of any oils remaining from manufacturing.
Metallic noise	Noise is caused by metal expanding and contracting as it heats up and cools down, similar to the sound produced by a furnace or heating duct. This noise does not affect the operation or longevity of the appliance.
Whirring sound	If the optional blower has been installed, the blower produces a whirring sound which increases in volume as the speed is increased.

# 3 Maintenance and Service

## A. Quick Reference Maintenance Guide

**CAUTION!** Allow the appliance to completely cool down before performing any cleaning or maintenance.

Start the first inspection after the first 2 months of use, or if performance changes, and adjust your schedule accordingly. Maintenance is required for safe operation and must be performed to maintain your warranty.

	Frequency	Task
<p>Baffle &amp; Blanket</p> 	<p>MONTHLY, After Every Cord of Wood, OR After Each Cleaning</p>	<p>Baffle and blanket placement is critical to heat output, efficiency and overall life of the unit. Make sure the baffle is pushed all of the way to the back of the firebox and the blanket is laying flat. Inspect baffle for cracks.</p>
<p>Optional Blower</p> 	<p>YEARLY</p>	<p>Vacuum the blower impellers.</p>
<p>Chimney System</p> 	<p>EVERY 2 MONTHS or After Every 2 Cords of Wood</p>	<p>The chimney and chimney cap must be inspected for soot and creosote every two months during the burn season or more frequency if chimney exceeds or is under 14-16 ft (4.3m-4.8m) measured from bottom of appliance.</p> <p>This will prevent pipe blockage, poor draft, and chimney fires.</p> <p>Always burn dry wood to help prevent cap blockage and creosote build-up.</p>
<p>Firebrick &amp; Ash Removal</p> 	<p>WEEKLY or After Every 25 Loads of Wood</p>	<p>Ashes must be cool before you can dispose of the ashes in a non-combustible container.</p> <p>Firebrick is designed to protect your firebox. After ashes are removed, inspect the firebrick and replace firebricks that are crumbling, cracked or broken.</p>
<p>Door &amp; Glass Assemblies</p> 	<p>WEEKLY or After Every 25 Loads of Wood</p>	<p>Keep door and glass gasket in good shape to maintain good burn times on a low burn setting. To test: place a dollar bill between the stove and door and then shut the door. If you can pull the dollar out, remove one washer from door handle behind latch cam and try again. If you can still pull it out, replace the door gasket.</p> <p>Check the glass frame for loose screws to prevent air leakage. Check glass for cracks.</p>
<p>Door Handle</p> 	<p>YEARLY</p>	<p>Check the door latch for proper adjustment. This is very important especially after the door rope has formed to the stove face.</p> <p>Check door handle for smooth cam operation.</p>

*These are generic drawings and may not represent your model.*

## B. Creosote (Chimney) Cleaning

- **Frequency:** Every 2 months during heating season or as recommended by a certified chimney sweep; more frequently if chimney exceeds or is under 14-16 ft. (measured from bottom of appliance)
- **By:** Certified Chimney Sweep

Remove all ash from the firebox and extinguish all hot embers before disposal. Allow the appliance to cool completely. Disconnect flue pipe or remove baffle and ceramic blanket from appliance before cleaning chimney. Otherwise residue can pile up on top of the baffle and ceramic blanket and the appliance will not work properly. (See Baffle Removal on **page 19**). Close the door tightly. The creosote or soot should be removed with a brush specifically designed for the type of chimney in use. Clean out fallen ashes from the firebox.

It is also recommended that before each heating season the entire system be professionally inspected, cleaned and repaired if necessary.

**Inspection:** Inspect the system at the appliance connection and at the chimney top. Cooler surfaces tend to build creosote deposits quicker, so it is important to check the chimney from the top as well as from the bottom.

**Formation and Need For Removal:** When wood is burned slowly, it produces tar and other organic vapors which combine with expelled moisture to form creosote.

The creosote vapors condense in the relatively cool chimney flue of a newly-started or a slow-burning fire. As a result, creosote residue accumulates on the flue lining. When ignited, this creosote creates an extremely hot fire which may damage the chimney or even destroy the house.

The chimney connector and chimney should be inspected once every 2 months during the heating season to determine if a creosote or soot buildup has occurred. If creosote or soot has accumulated, it should be removed to reduce the risk of a chimney fire.

## C. Ash Removal System (ARS) Operating and Cleaning

- **Frequency:** As necessary
- **By:** Homeowner
  - a. The appliance and ashes must be completely cooled down before using the Ash Removal System. Reach down and locate the ash removal door handle under the left side of the appliance in the center. Grasp the handle with your fingers and place your thumb on the latch release (**Figure 15.1**). Press the latch release inward. Keep the latch release pressed in and lower the handle gently. Take your thumb off the release once the handle is clear of the latch and guide the handle back until it stops.
  - b. Remove cast iron cap from inside the firebox using tools supplied. Clean ash down through the ash removal system channel into the drawer below. (**Figure 15.2**)  
  
Inspect the top of the ARS door to ensure all ash has been removed. You can rapidly move the ARS latch handle up and down to help remove any ash from the door. Use a small brush to clean off the top of the door if any ash remains.
  - c. Close the door handle, you will hear a “click” when it closes. **Wear gloves to remove the drawer.** Dispose of the ashes following the directions on **the next page**.

**Be sure to replace the cap before operating the appliance.** It is recommended to leave 1/4 to 1/2 inch (6-13mm) of ash on the firebox floor to allow air to flow freely underneath wood.

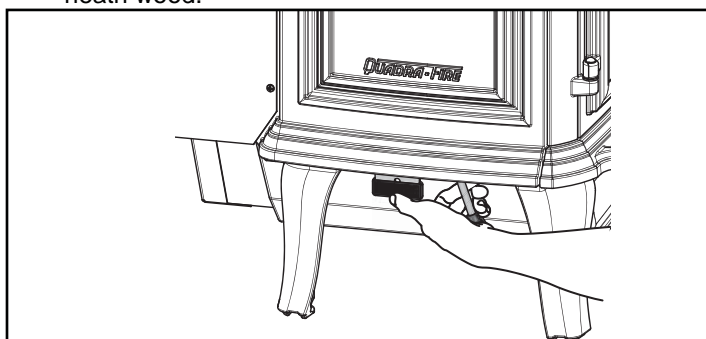






Figure 15.1

 <b>WARNING</b>	
	<b>Fire Risk.</b> Prevent creosote buildup.
	<ul style="list-style-type: none"> <li>• Inspect chimney connector and chimney once every two months during heating season.</li> </ul>
	<ul style="list-style-type: none"> <li>• Remove creosote to reduce risk of chimney fire.</li> <li>• Ignited creosote is extremely HOT.</li> </ul>

 <b>CAUTION</b>	
	<b>Injury Risk.</b>
	<ul style="list-style-type: none"> <li>• Gloves recommended</li> <li>• May have sharp edges</li> </ul>

 <b>WARNING</b>	
	<b>Fire Risk</b> <b>Injury Risk</b>
	Make sure Ash Removal System door is sealed tight against the gasket.
	Air leakage may cause: <ul style="list-style-type: none"> <li>• Over-fire condition.</li> <li>• Flame and/or smoke spillage.</li> <li>• Wood to burn too fast.</li> </ul>

### D. Disposal of Ashes

- **Frequency:** When ash is within 1-3/4 in. (44mm) of firebox lip
- **By:** Homeowner

Ashes should be placed in a metal container with a tight fitting lid. The closed container of ashes should be placed on a non-combustible floor or on the ground, well away from all combustible materials, pending final disposal. If the ashes are disposed of by burial in soil or otherwise locally dispersed, they should be retained in the closed container until all cinders have thoroughly cooled.



Figure 15.2

**WARNING**



**Fire Risk.  
Disposal of Ashes**

- Ashes should be placed in metal container with tight fitting lid.
- Do not place metal container on combustible surface.
- Ashes should be retained in closed container until all cinders have thoroughly cooled.

### E. Glass Cleaning

- **Frequency:** As desired
- **By:** Homeowner

Clean glass with a non-abrasive glass cleaner. Abrasive cleaners may scratch and cause glass to crack. If the deposits on the glass are not very heavy, normal glass cleaners work well. Heavier deposits may be removed by using a damp cloth dipped in wood ashes or by using a commercially available oven cleaner.

After using an oven cleaner, it is advisable to remove any residue with a glass cleaner or soap and water. Oven cleaner left on during the next firing can permanently stain the glass and damage the finish on metal surfaces.

A portion of the combustion air entering the firebox is deflected down over the inside of the door glass. This air flow “washes” the glass, helping to keep smoke from adhering to its surface.

When operated at a low burn rate, less air will be flowing over the glass and the smoky, relatively cool condition of a low fire will cause the glass to become coated.

Operating the appliance with the Burn Rate Air Control and Start-Up Air Control all the way open for 30-45 minutes should remove the built up coating.

**CAUTION**

- Do not use polishes with abrasives. It will scratch surfaces.



# 4 Troubleshooting Guide

With proper installation, operation, and maintenance your wood appliance will provide years of trouble-free service. If you do experience a problem, this troubleshooting guide will assist you or a qualified service person in the diagnosis of a problem and the corrective action to be taken.

Start Fire Problems	Possible Cause	Solution
Can not get fire started Excessive smoke or spillage Burns too slowly Not enough heat output	Not enough kindling/paper or no kindling/paper	Use dry kindling, more paper. Arrange kindling & wood for air movement.
	Not enough air for fire to ignite	Check for restricted termination cap
		Check for blockage of outside air kit (if installed).
		Check for flue blockage.
		Pre-warm flue before starting fire (refer to Building a Fire Section).
		Check for adequate vent height (refer to Chimney Height Section).
	Refer to Negative Pressure section	
	Wood condition is too wet, too large	Use dry, seasoned wood (refer to Seasoned Wood Section).
	Bed of coals not established before adding wood	Start with paper & kindling to establish bed of coals (refer to Building a Fire Section).
Flue blockage such as birds' nests or leaves in termination cap	Have chimney inspected for creosote and cleaned by a certified chimney sweep.	
Down draft or negative pressure Competition with exhaust devices	Do not use exhaust fans during start-up (refer to Negative Pressure Section).	
Fire burns too fast	Extremely dry or soft wood	Mix in hardwood.
		Mix in larger pieces of wood after fire is established.
	Overdrafting	Check for correct vent height; too much vertical height creates overdrafting.
		Check location of vent termination (refer to Chimney Termination Requirement Section).

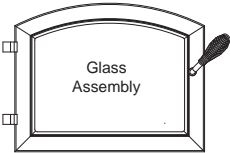
**Contact your dealer** for additional information regarding operation and troubleshooting.  
 Visit [www.quadrafire.com](http://www.quadrafire.com) to locate a dealer.



# 5 Service Part Replacement

## A. Glass Replacement

1. Ensure that the fire is out and the appliance is cool to the touch.
2. Protect a table or counter top with padding or towels. Protect your hands and wear gloves to prevent injury.
3. Remove the door with the broken glass by lifting the door up and off of the hinges.
4. Lay door face down on a table or counter making sure the handle hangs over the edge so the door lays flat, on a soft surface.
5. Remove the screws from each glass retainer and remove the glass. (If screws are difficult to remove, soak with penetrating oil first).
6. Center the glass with edges evenly overlapping the opening in the door, (i.e. same space top and bottom, left and right sides).
7. Replace the glass retainers. Be careful not to cross thread the screws.
8. Tighten each retainer just a few turns until each is secured. Check again for centering of glass in door frame. Continue to tighten each retainer alternately, a few turns at a time, until the glass is secure. **DO NOT OVERTIGHTEN.**
9. Replace the door on the appliance.

Quadra-Fire appliances are equipped with ceramic super heat-resistant glass, which can only be broken by impact or misuse. Do not slam appliance door or impact the glass. When closing door, make sure that logs do not protrude against the glass. Inspect glass regularly. If you find a crack or break, immediately put the fire out and return the door to your dealer for replacement of glass before further use.

<b>CAUTION</b>	
 <p style="text-align: center;">Glass Assembly</p>	<p>Handle glass assembly with care.</p> <p><b>When cleaning glass:</b></p> <ul style="list-style-type: none"> <li>• Avoid striking, scratching or slamming glass.</li> </ul>
<ul style="list-style-type: none"> <li>• Do NOT clean glass when hot.</li> <li>• Do NOT use abrasive cleaners.</li> <li>• Use a hard water deposit glass cleaner on white film.</li> <li>• Use commercial oven cleaner on heavier deposits.</li> <li>• Remove all residue of oven cleaner or will permanently stain glass on next firing. <b>Refer to maintenance instructions.</b></li> </ul>	

 <b>WARNING</b>	
	<p><b>Injury Risk.</b></p> <ul style="list-style-type: none"> <li>• Use only glass specified in manual.</li> <li>• <b>DO NOT REPLACE</b> with any other material.</li> </ul>

## B. Firebrick Replacement

Replace the firebrick if they become crumbly and/or if there is a 1/4 inch (6.35mm) gap between the bricks.

Inspect the firebrick after each ash removal.

The firebox is lined with high quality firebrick, which has exceptional insulating properties. There is no need to use a grate; simply build a fire on the firebox floor. Do not operate appliance without firebrick.

1. After the coals have completely cooled, remove all old brick and ash from appliance and vacuum firebox.
2. Remove new brick set from box and lay out to diagram shown.
3. Lay bottom bricks in appliance.
4. Install rear bricks on the top of the bottom bricks. Slide top of bricks under clip on back of firebox wall and push bottom of brick back.
5. Install side bricks. Slide top of brick under clips on side of firebox and push the bottom of the brick until it is flush with the side of the appliance.

### C. Snap Disc Replacement

(included with optional blower)

1. Unplug the appliance.
2. Locate the snap disc bracket assembly at the bottom left rear corner of the appliance.
3. A magnet holds the bracket to the appliance. Pull the bracket down away from the appliance to expose the snap disc.
4. Pull the snap disc and spade connectors up and out of bracket as shown in **Figure 19.1**
5. Using a Phillips head screw driver, remove the 2 screws from the snap disc and then remove the snap disc from the spade connectors. Replace with new snap disc and re-connect to spade connectors.
6. Push the snap disc and spade connectors back inside bracket. Reassemble in reverse order.

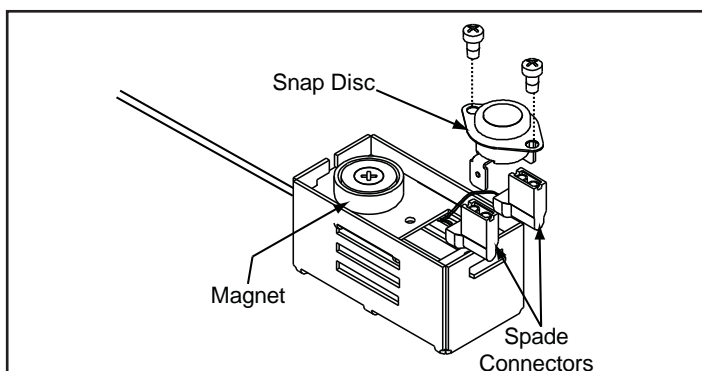


Figure 19.1

### D. Door Handle Assembly

1. Slide door handle through door.
2. Install additional washer(s) as shown in **Figure 19.2**
3. Install key in groove.
4. Align groove in latch cam with key; slide latch cam over shaft
5. Install locknut but do not overtighten, the handle needs to rotate smoothly.
6. Install fiber handle. **Figure 19.2**

**CAUTION!** Do not overtighten lock nut. The door handle needs to move smoothly.

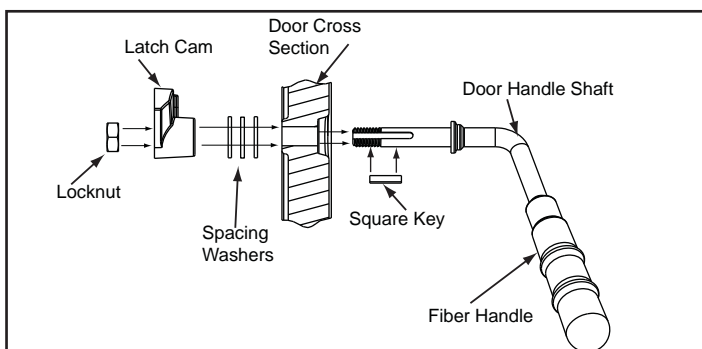


Figure 19.2

### E. Baffle Removal

1. Remove all ash from the firebox and dispose appropriately.
2. Lift baffle protection channel, board, and blanket approximately 1 inch up so it is free from the front tube.
3. Pull baffle protection channel forward to remove.
4. Lift one half of the baffle board just above the other and slide over the top so it is centered in the appliance then tilt down to remove. Slide the second half of the baffle board to the center then tilt down to remove. The baffle blanket will come out with the second board.
5. Install baffle board in the reverse manner to which it was removed.
6. Install baffle blanket. It is easier to install the blanket by folding the two sides approximately 4 inches from the end then flattening them down once seated against the rear of the firebox.
7. Install baffle protection channel. This must sit correctly on the front air tube for the appliance to work as designed.
8. **NOTE:** Check to ensure the boards and blanket are situated appropriately.

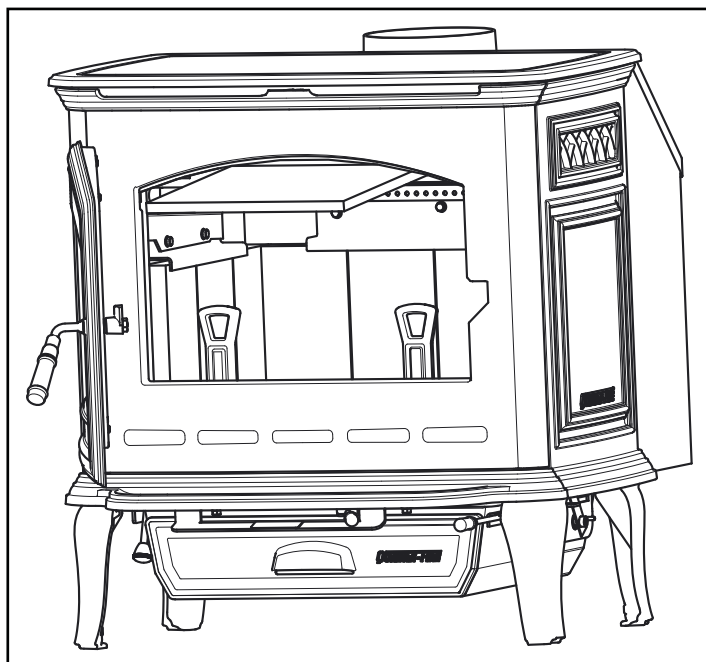


Figure 19.3

## F. Tube Channel Assembly Replacement

### Removing Tube Channel Assembly

1. Remove convection blower shroud (4 screws, 2 on each side).
  - a. Tilt shroud forward and slide up and away from appliance.
2. Remove right side casting.
  - a. CAUTION: Block up right side of appliance so the appliance is supported on the ash pan and not resting on the right side casting.
  - b. Remove the two flange nuts securing the side to the firebox.
  - c. Pull the side out and back.
3. Remove the baffle board and blanket.
4. Remove the tube channel assembly (It is recommended to soak the bolts with penetrating oil for at least 15 minutes before trying to remove them.).
  - a. Remove the two flange nuts.
  - b. Remove the two hex bolts
  - c. Remove tube channel assembly

**NOTE: Service Space**

In order to replace the tube channel assembly a clearance of 19 inches (483mm) is required on the right side of appliance in order to remove the tubes with the appliance in place.

If space is not available, the appliance will have to be disconnected from the chimney to proceed with the tube replacement.

### Replacing Tube Channel Assembly

1. Install baffle board, blanket, and tube assembly.
  - a. Insert baffle blanket
  - b. Insert tube assembly 2/3 of the way into the firebox.
  - c. Place baffle boards on top of tube assembly and situate the boards and blanket so they seat correctly
  - d. Insert tube assembly fully into the tube channel supports on the left side of the firebox.
  - e. Install baffle protection channel.
  - f. Secure two hex bolts.
  - g. Secure two flange nuts.
  - h. CAUTION: Ensure baffle board, baffle protection channel, and blanket are installed correctly.
2. Install right side casting.
  - a. Insert guide plates into the front of the firebox.
  - b. Place casting over two bolts.
  - c. Secure with two flange nuts.
3. Remove support from under ash pan.
4. Install convection blower shroud.

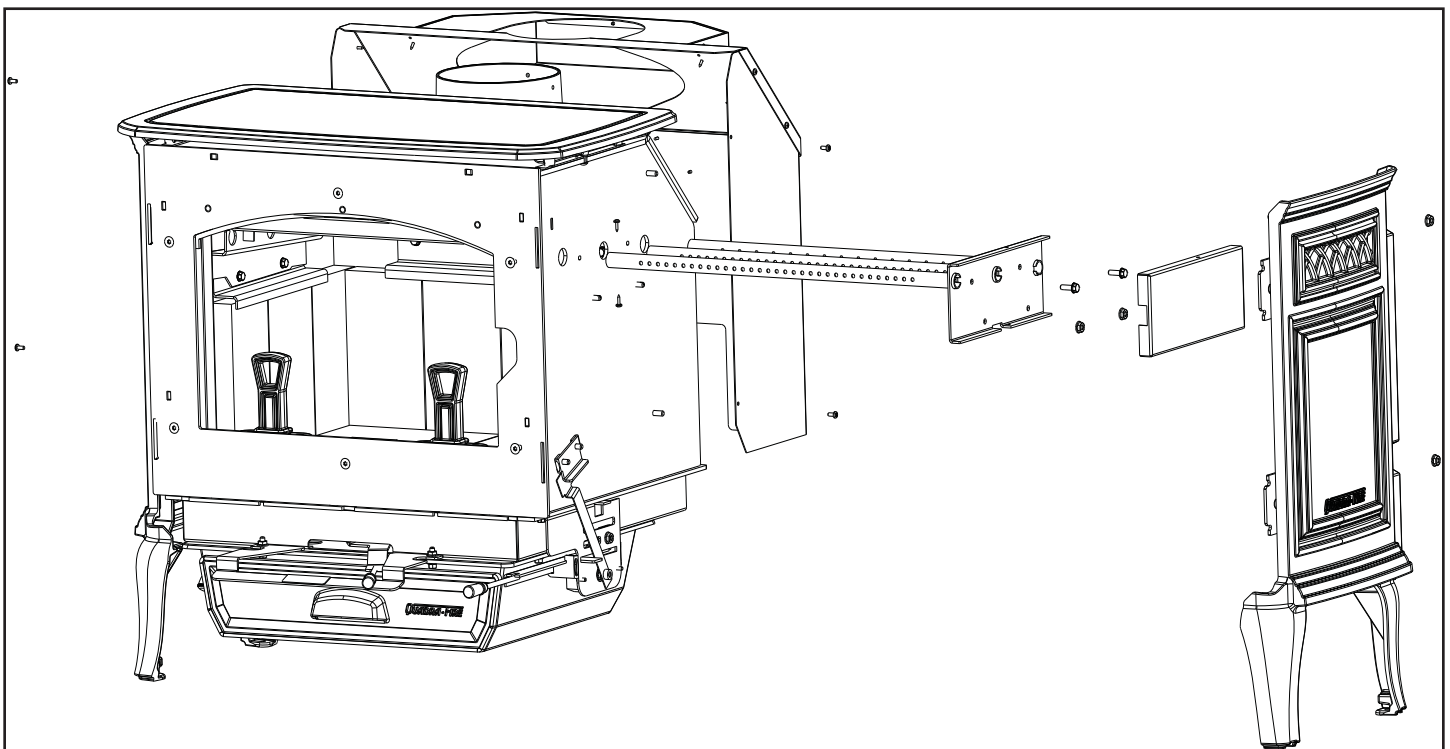
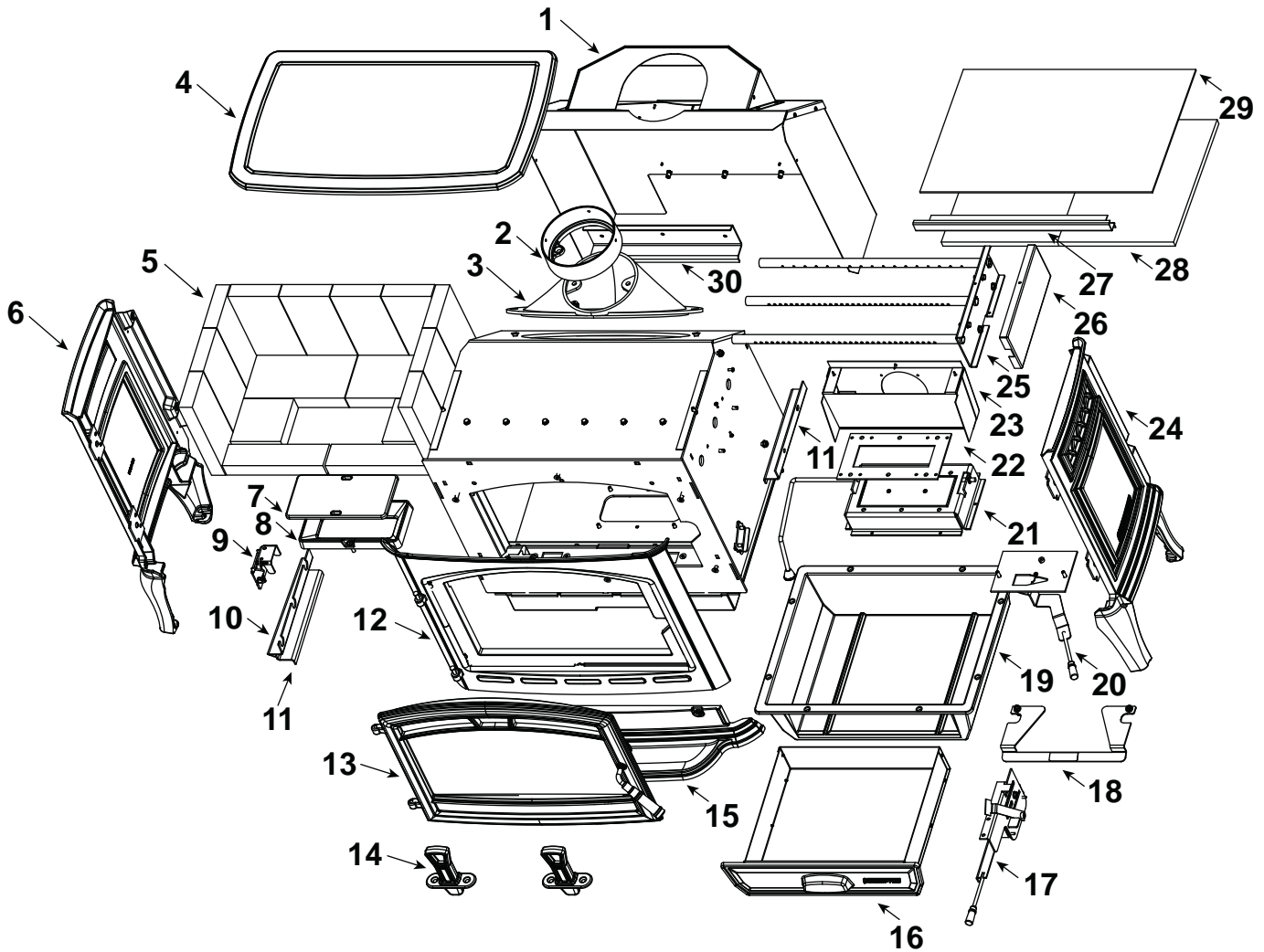


Figure 20.1



Color	SKU No.	Mfg. Dates
Matte Black	EXPLR-I-MBK	11/15-
Porcelain Black	EXPLR-I-PBK	11/15-
Porcelain Dark Blue	EXPLR-I-PDB	11/15-
Porcelain Frost	EXPLR-I-PFT	11/15-
Porcelain Mahogany	EXPLR-I-PMH	11/15-



Part number list on following page.

02/16

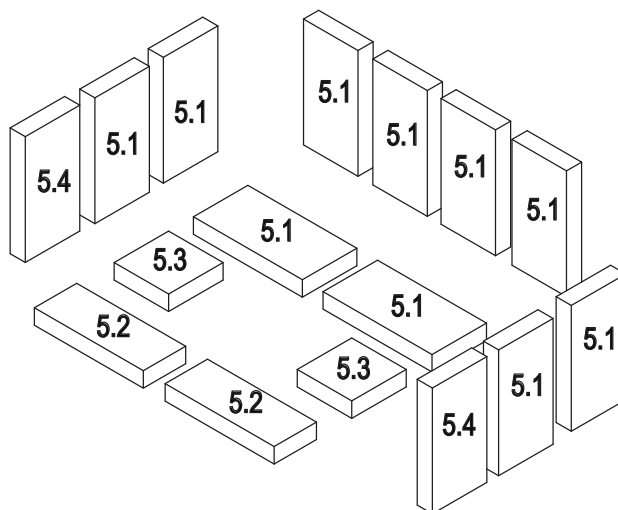
IMPORTANT: THIS IS DATED INFORMATION. Parts must be ordered from a dealer or distributor. **Hearth and Home Technologies does not sell directly to consumers.** Provide model number and serial number when requesting service parts from your dealer or distributor.



**Stocked at Depot**

ITEM	DESCRIPTION	COMMENTS	PART NUMBER
1	Rear Shroud Assembly		SRV7062-010
2	Flue Collar		SRV7061-201
3	Flue Transition Assembly		SRV29138
4	Top	Matte Black	7062-101MBK
		Porcelain Black	7062-101PBK
		Porcelain Blue	7062-101PDB
		Porcelain Frost	7062-101PFT
		Porcelain Mahogany	7062-101PMH

**#5 Brick Assembly**



5	Brick Assembly		SRV7062-004
5.1	Brick #1, 9 X 4.5 X 1.25	Qty 10 req	
5.2	Brick #2, 9 x 2.5 x 1.25	Qty 2 req	
5.3	Brick #3, 4.5 x 4.5 x 1.25	Qty 2 req	
5.4	Brick #4, 9 X 3.75 X 1.25	Qty 2 req	
	Brick, Uncut <b>(Must specify size when ordering)</b>	Pkg of 1	832-0550
		Pkg of 6	832-3040
6	Side Left	Matte Black	7062-019MBK
		Porcelain Black	7062-019PBK
		Porcelain Blue	7062-019PDB
		Porcelain Frost	7062-019PFT
		Porcelain Mahogany	7062-019PMH
7	ARS Access Cover		SRV7038-196
8	ARS Channel		SRV7061-184
9	ARS Latch Assembly		SRV7062-034

Additional service part numbers appear on following page.

Beginning Manufacturing Date: Nov 2015  
Ending Manufacturing Date: Active

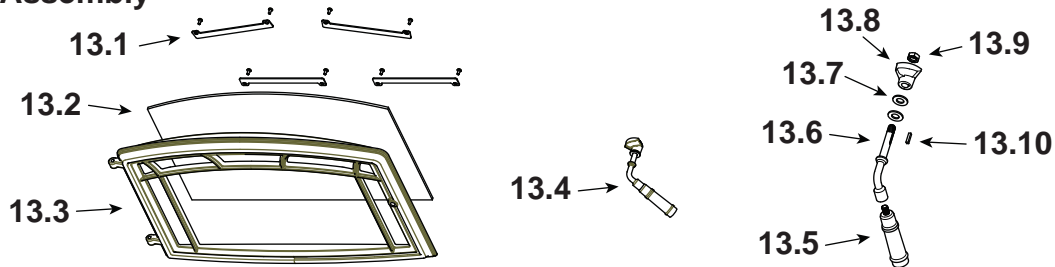
IMPORTANT: THIS IS DATED INFORMATION. Parts must be ordered from a dealer or distributor. **Hearth and Home Technologies does not sell directly to consumers.** Provide model number and serial number when requesting service parts from your dealer or distributor.



**Stocked at Depot**

ITEM	DESCRIPTION	COMMENTS	PART NUMBER	
10	Tube Rack		SRV7062-139	
11	Side Brick Retainer		SRV7062-138	
12	Front	Matte Black	7062-103MBK	
		Porcelain Black	7062-103PBK	
		Porcelain Blue	7062-103PDB	
		Porcelain Frost	7062-103PFT	
		Porcelain Mahogany	7062-103PMH	
	Gasket 1/2"		7000-811	
13	Door Assembly	Matte Black	7062-003MBK	
		Porcelain Black	7062-003PBK	
		Porcelain Blue	7062-003PDB	
		Porcelain Frost	7062-003PFT	
		Porcelain Mahogany	7062-003PMH	

### #13 Door Assembly



13.1	Glass Retainers		SRV7063-166	
13.2	Glass Assembly		SRV7062-013	Y
13.3	Door	Matte Black	7062-109MBK	
		Porcelain Black	7062-109PBK	
		Porcelain Blue	7062-109PDB	
		Porcelain Frost	7062-109PFT	
		Porcelain Mahogany	7062-109PMH	
13.4	Door Handle Assembly		SRV7063-014	Y
13.5	Fiber Handle		SRV7060-212	Y
13.6	Door Handle		SRV7063-137	
13.7	Washer, Sae, 3/8 (3 Ea)	Pkg of 3	832-0990	Y
13.8	Cam Latch		430-1141	
13.9	Nut, 2Wy Side Lock Jam 3	Pkg of 24	226-0100/24	Y
13.10	Key, Cam Latch		430-1151	
14	Andirons	2 Sets	SRV7061-020	

Additional service part numbers appear on following page.



IMPORTANT: THIS IS DATED INFORMATION. Parts must be ordered from a dealer or distributor. **Hearth and Home Technologies does not sell directly to consumers.** Provide model number and serial number when requesting service parts from your dealer or distributor.

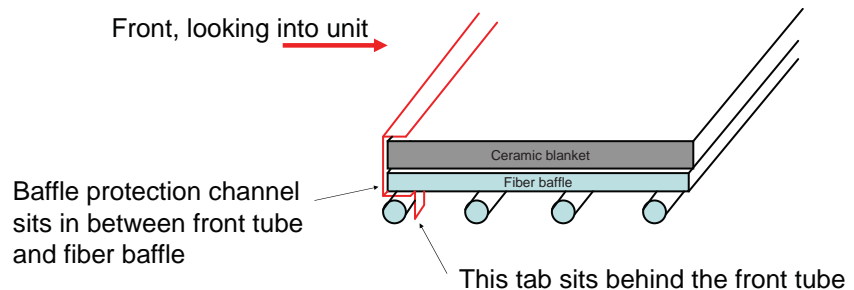


**Stocked at Depot**

ITEM	DESCRIPTION	COMMENTS	PART NUMBER	
15	Ashlip	Matte Black	7062-113MBK	
		Porcelain Black	7062-113PBK	
		Porcelain Blue	7062-113PDB	
		Porcelain Frost	7062-113PFT	
		Porcelain Mahogany	7062-113PMH	
16	Ashpan		SRV7060-023	
17	Timer Assembly		SRV7062-025	
	Handle, Fiber		SRV7060-202	
	Timer (Only) Replacement Assembly		SRV480-1940	Y
18	Burn Rate Indicator		SRV7062-174	
19	ARS Box		SRV7060-005	
20	Burn Rate Control		SRV7062-023	
	Handle, Fiber		SRV7060-202	
21	ARS Assembly		SRV7062-035	
22	Gasket, ARS		SRV7033-296	Y
23	Outside Air Chamber		SRV7062-173	
24	Side Right	Matte Black	7062-018MBK	
		Porcelain Black	7062-018PBK	
		Porcelain Blue	7062-018PDB	
		Porcelain Frost	7062-018PFT	
		Porcelain Mahogany	7062-018PMH	
25	Tube Channel		SRV7062-017	Y
26	Tube Chanel cover		SRV7062-148	

### #27 Baffle Protection Channel

Side view



27	Baffle Protection Channel		SRV7062-149	Y
28	Baffle Board	2 pcs.	SRV7062-132	Y
29	Baffle Blanket		SRV7062-133	Y
30	Rear Brick Retainer		SRV7062-137	

Additional service part numbers appear on following page.

IMPORTANT: THIS IS DATED INFORMATION. Parts must be ordered from a dealer or distributor. **Hearth and Home Technologies does not sell directly to consumers.** Provide model number and serial number when requesting service parts from your dealer or distributor.



**Stocked  
at Depot**

ITEM	DESCRIPTION	COMMENTS	PART NUMBER	
	Component Pack (Includes Baffle Diverter and Instructions, 2 Leg Leveling Nuts & 2 Bolts, Touch-Up Paint, Owners Manual & Warranty Card)	Matte Black	SRV7062-027	
		Porcelain Black	SRV7062-028	
		Porcelain Blue	SRV7062-029	
		Porcelain Frost	SRV7062-030	
		Porcelain Mahogany	SRV7062-031	
	Leveling Assembly		7000-000	
	Paint Touch-Up	Matte Black	812-0910	
		Porcelain Black	1-00-0022	
		Porcelain Blue	1-00-0020	
		Porcelain Frost	1-00-0021	
		Porcelain Mahogany	855-1450	

**C. Home Owner Notes**

Date	Note

# QUADRA-FIRE®

NOTHING BURNS LIKE A QUAD

## CONTACT INFORMATION

Hearth & Home Technologies  
1445 North Highway  
Colville, WA 99114  
Division of HNI INDUSTRIES

Please contact your Quadra-Fire dealer with any questions or concerns.  
For the number of your nearest Quadra-Fire dealer  
log onto [www.quadrafire.com](http://www.quadrafire.com)

### CAUTION



#### DO NOT DISCARD THIS MANUAL

- Important operating and maintenance instructions included.
- Read, understand and follow these instructions for safe installation and operation.
- Leave this manual with party responsible for use and operation.

DO NOT  
DISCARD

**We recommend that you record the following pertinent information for your heating appliance.**

Date purchased/installed: \_\_\_\_\_

Serial Number: \_\_\_\_\_ Location on appliance: \_\_\_\_\_

Dealership purchased from: \_\_\_\_\_ Dealer phone: \_\_\_\_\_

Notes: \_\_\_\_\_

This product may be covered by one or more of the following patents: (United States) 5341794, 5263471, 6688302, 7216645, 7047962 or other U.S. and foreign patents pending.