



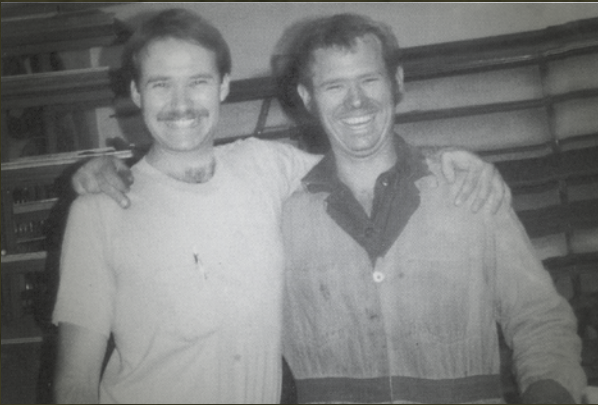
WOOD INSERTS

**QUADRA-FIRE**  
NOTHING BURNS LIKE A QUAD



**QUADRA-FIRE®**

# PERFORMANCE FROM THE BEGINNING



In 1990, the U.S. Environmental Protection Agency (EPA) enacted stringent wood-burning regulations, crippling the more than 500 wood stove manufacturers around the country. But not Quadra-Fire®.

Two years of research and development later, founders Alan Trusler and Dan Henry unveiled their patented “Quad Burn” system. The technology produced powerful and efficient rolling flames so intense, it dawned the inception of the Quadra-Fire name.

## **WHY QUADRA-FIRE**

For more than 30 years, Quadra-Fire has put performance and easy operation above all else. Today these ideals are vibrant and alive, blending our past with our present. Quadra-Fire products are proudly built to last by our members.

## **WHY WOOD**

**IT'S RENEWABLE** - Using renewable energy sources is more important than ever and wood is 100 percent renewable. When you burn wood, you are also completing the last step of the natural carbon cycle of trees, resulting in a zero net carbon impact on the environment.

**IT'S COST-EFFECTIVE** - Heating with wood costs less than heating with electricity, liquid propane or heating oil, especially if you harvest wood yourself.

## **WHY AN INSERT**

Quadra-Fire wood inserts provide an instant upgrade to any hearth, designed to be retrofitted into an existing wood-burning fireplace. Inserts instantly transform your drafty old fireplace into a powerful, efficient and clean burning heat source.

As the fire ignites, it remains clear:

**NOTHING BURNS LIKE A QUAD.**



VOYAGEUR GRAND INSERT IN CLASSIC BLACK WITH  
CLASSIC BLACK CAST IRON SURROUND



# QUADRA-FIRE

## CAST AND STEEL WOOD INSERTS

Powerful and efficient, with EPA-certified performance, Quadra-Fire wood inserts are built to last in durable plate steel.

### PERFORMANCE

Get maximum heat and a clean burn, with the Quadra-Fire Four-Point Burn System delivering performance that you can see.

### EASY OPERATION

Eliminate the hassle and save time with the Automatic Combustion Control (ACC): simply load the wood, light the fire and walk away.

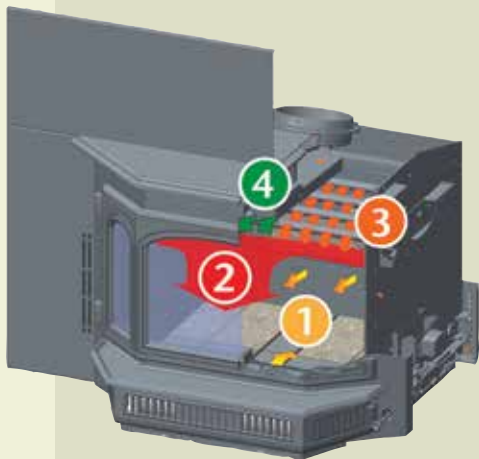


### EXCLUSIVE TECHNOLOGIES

Innovative technology is at work in every Quadra-Fire. These advancements make it possible to burn wood more effectively, efficiently, and with more control.

#### FOUR-POINT BURN SYSTEM

The patented Quadra-Fire Four-Point Burn System produces intense rolling flames. Four combustion cycles extend the heat, enhance the fire and increase efficiency for long-lasting, proven performance.



##### 1. PRECISION START-UP

Airflow quickly routes to the heart of the fire.

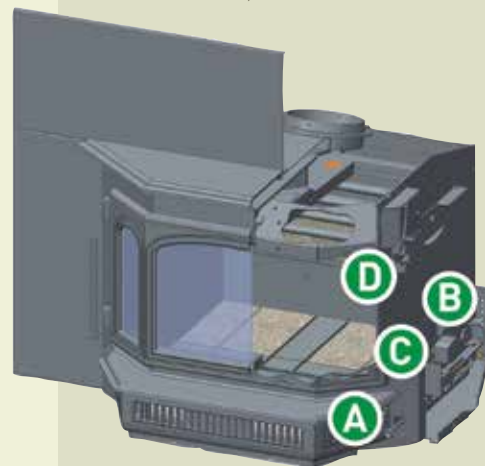
**2. SECONDARY BURN ZONE** Air movement helps create rolling flames and keeps the glass clean.

**3. TERTIARY BURN ZONE** Superheated air ignites flammable gases rising from the wood.

**4. QUATERNARY BURN ZONE** Remaining impurities are burned above the baffle before exiting up the chimney.

#### AUTOMATIC COMBUSTION CONTROL

Automatic Combustion Control (ACC) is an advanced heat-management technology from Quadra-Fire. ACC feeds the fire with air when it's needed most—for precision start-up and consistent, extended burns.



##### A. ACTIVATION CONTROL KNOB

Push back and pull forward to activate startup airflow.

**B. ACC AIR INLET** Controls startup airflow to build the fire.

**C. ACC TIMER** Opens ACC air inlet during startup for approximately 20 minutes.

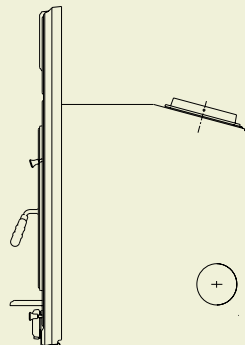
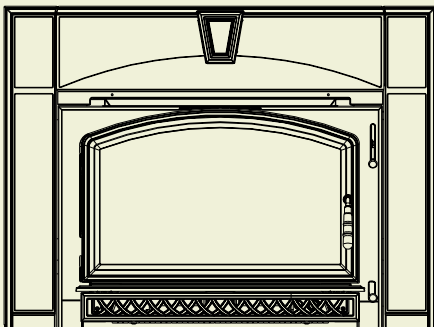
**D. BURN RATE CONTROL** Controls the airflow feeding the fire, also controls your comfort.

# VOYAGEUR GRAND



VOYAGEUR GRAND INSERT IN CLASSIC BLACK WITH CLASSIC BLACK CAST IRON SURROUND

Peak BTU/hr Output <sup>1</sup> <b>58,600</b>	Heating Capacity <sup>2</sup> <b>1,100-2,800</b> sq ft	Max. Burn Time <b>14 hrs</b>	Efficiency <sup>3</sup> <b>78.4%</b>	Emissions <b>3.2 g/hr</b>	Firebox <b>2.35 cu ft</b>	Recommended Log Length <b>20"</b>	Blower System <b>140 cfm</b>	Weight <b>398lb</b>
---	--	---------------------------------	---	------------------------------	------------------------------	---	---------------------------------	------------------------



CLASSIC BLACK



PORCELAIN MAHOGANY

VOYAGEUR GRAND INSERT

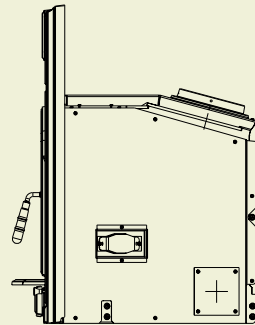
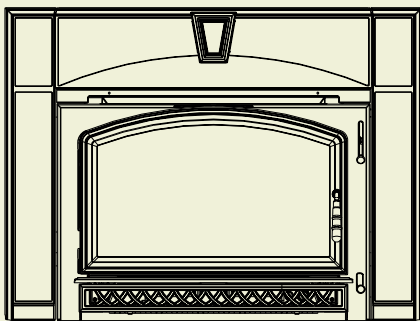


# VOYAGEUR



VOYAGEUR INSERT IN PORCELAIN MAHOGANY WITH PORCELAIN MAHOGANY CAST IRON SURROUND

Peak BTU/hr Output <sup>1</sup> <b>49,100</b>	Heating Capacity <sup>2</sup> <b>900-2,400</b> sq ft	Max. Burn Time <b>10 hrs</b>	Efficiency <sup>3</sup> <b>77%</b>	Emissions <b>4.1 g/hr</b>	Firebox <b>1.83 cu ft</b>	Recommended Log Length <b>16"</b>	Blower System <b>140 cfm</b>	Weight <b>355lb</b>
---	--	---------------------------------	---------------------------------------	------------------------------	------------------------------	---	---------------------------------	------------------------



CLASSIC BLACK



PORCELAIN MAHOGANY

VOYAGEUR INSERT

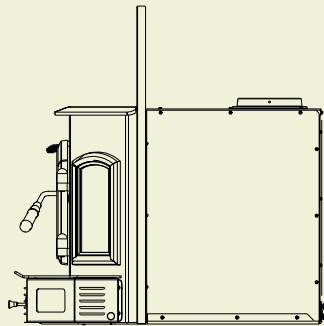
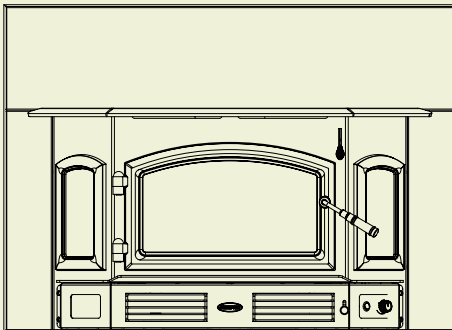


5100i



5100 INSERT WITH METAL SURROUND AND SATIN NICKEL TRIM KIT, AND DOOR TRIM KIT WHICH INCLUDES DOOR, SIDE WINDOWS, HINGE PINS AND AIR CONTROL HANDLE

Peak BTU/hr Output <sup>1</sup> <b>67,800</b>	Heating Capacity <sup>2</sup> <b>1,200-3,100</b> sq ft	Max. Burn Time <b>14 hrs</b>	Efficiency <sup>3</sup> <b>79.1%</b>	Emissions <b>4.2 g/hr</b>	Firebox <b>3.0 cu ft</b>	Recommended Log Length <b>20"</b>	Blower System <b>140 cfm</b>	Weight <b>480lb</b>
---	--	---------------------------------	---	------------------------------	-----------------------------	---	---------------------------------	------------------------



5100i INSERT



4100i



4100 INSERT WITH METAL SURROUND AND CLASSIC BLACK CAST IRON TRIM KIT, AND SATIN NICKEL DOOR TRIM KIT

Peak  
BTU/hr Output<sup>1</sup>  
**60,500**

Heating Capacity<sup>2</sup>  
**1,100-2,800**  
sq ft

Max. Burn Time  
**12 hrs**

Efficiency<sup>3</sup>  
**78.5%**

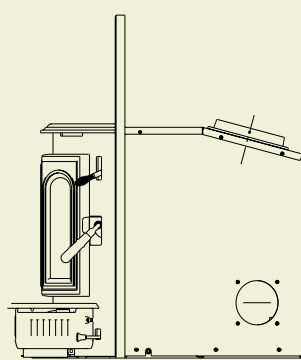
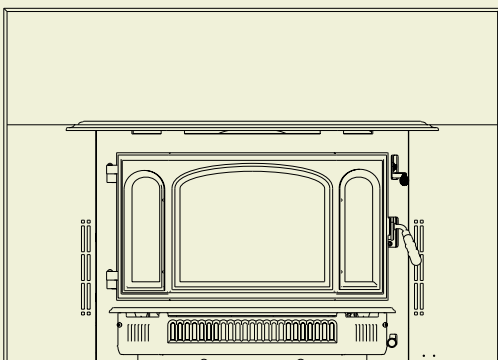
Emissions  
**4.3 g/hr**

Firebox  
**2.43 cu ft**

Recommended  
Log Length  
**18"**

Blower System  
**140 cfm**

Weight  
**345lb**



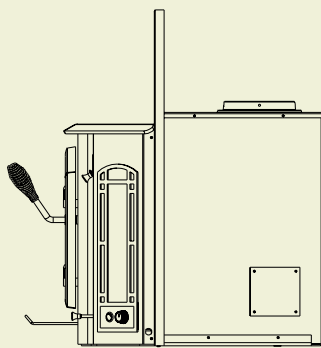
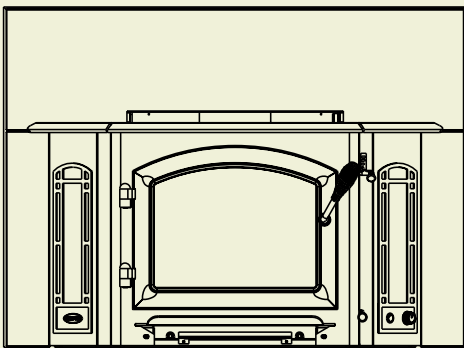
4100i INSERT

3100i



3100 INSERT WITH METAL SURROUND AND CLASSIC BLACK TRIM KIT, CLASSIC BLACK RECTANGULAR DOOR AND CLASSIC BLACK SIDE PANEL SET WITH FAN SYSTEM

Peak BTU/hr Output <sup>1</sup> <b>53,600</b>	Heating Capacity <sup>2</sup> <b>1,000-2,500</b> sq ft	Max. Burn Time <b>10 hrs</b>	Efficiency <sup>3</sup> <b>78.3%</b>	Emissions <b>2.0 g/hr</b>	Firebox <b>1.9 cu ft</b>	Recommended Log Length <b>16"</b>	Blower System <b>140 cfm</b>	Weight <b>345lb</b>
---	--	---------------------------------	---	------------------------------	-----------------------------	---	---------------------------------	------------------------



3100i INSERT



2700i



2700 INSERT WITH METAL SURROUND AND SATIN NICKEL TRIM KIT, AND SATIN NICKEL ARCHED DOOR

Peak  
BTU/hr Output<sup>1</sup>  
**38,500**

Heating Capacity<sup>2</sup>  
**900-2,300**  
sq ft

Max. Burn Time  
**8 hrs**

Efficiency<sup>3</sup>  
**78.8%**

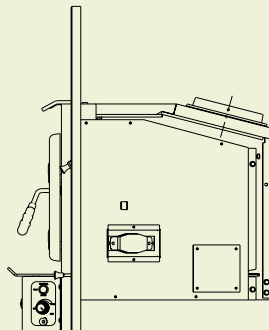
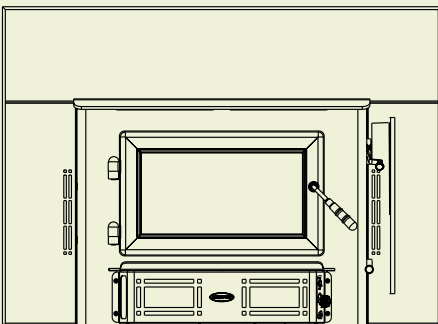
Emissions  
**3.5 g/hr**

Firebox  
**1.75 cu ft**

Recommended  
Log Length  
**16"**

Blower System  
**140 cfm**

Weight  
**295lb**



2700i INSERT



# 4 EASY STEPS TO UPGRADE YOUR EXISTING WOOD-BURNING FIREPLACE

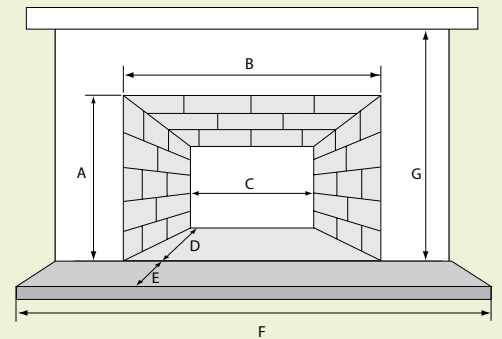
1. MEASURE YOUR EXISTING FIREPLACE
2. CHOOSE YOUR INSERT

3. SELECT A SURROUND
4. CUSTOMIZE YOUR INSERT

## STEP 1 MEASURE YOUR EXISTING FIREPLACE

The height, width and depth of the existing fireplace opening is needed to ensure selection of an appropriately-sized insert:

- |                                 |                                  |
|---------------------------------|----------------------------------|
| A. Fireplace front height _____ | E. Hearth depth _____            |
| B. Fireplace front width _____  | F. Hearth width _____            |
| C. Fireplace back width _____   | G. Hearth to mantel height _____ |
| D. Fireplace Depth _____        |                                  |



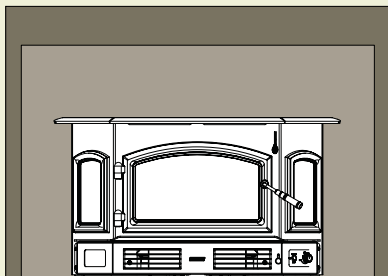
## STEP 2 SELECT YOUR INSERT

Selecting an insert consists of two main factors. Keep these in mind and you're sure to make a solid choice:

- Consider the size of your existing fireplace opening– try and fill that space
- Consider how your insert will be used: room size, heating needs and usage frequency all come into play

## STEP 3 CHOOSE YOUR SURROUND

Surrounds remove the gap between the fireplace insert and existing fireplace opening. Choose from numerous sizes and styles for a unique look.



STANDARD SIZE SURROUND    LARGE SURROUND

SURROUND	VOYAGEUR GRAND	VOYAGEUR	5100I	4100I	3100I	2700I
Cast Iron Surround	44"W x 33"H	40"W x 30"H	N/A	N/A	N/A	N/A
Standard Metal Surround with Cast Iron Trim	N/A	N/A	N/A	45"W x 31"H	N/A	N/A
Large Metal surround with Cast Iron Trim	N/A	N/A	N/A	48"W x 34"H	N/A	N/A
Standard Metal surround with Outside Trim	43"W x 31"H	43"W x 31"H	43"W x 31"H	43"W x 31"H	43"W x 31"H	43"W x 31"H
Large Metal surround with Outside Trim	51"W x 34"H	51"W x 34"H	51"W x 34"H	51"W x 34"H	51"W x 34"H	51"W x 34"H

CAST IRON SURROUND



CAST IRON SURROUND COLORS



CLASSIC BLACK

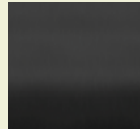


PORCELAIN MAHOGANY

METAL SURROUND WITH CAST IRON TRIM



TRIM COLOR

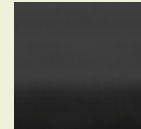


CLASSIC BLACK

METAL SURROUND WITH OUTSIDE TRIM



TRIM COLORS



CLASSIC BLACK



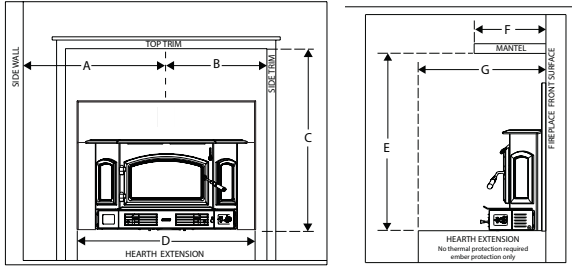
SATIN NICKEL



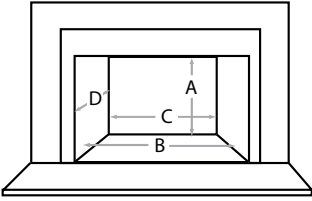




## CLEARANCES

Insert	A	B	C	D	E	F	G	Clearance Diagram
Voyageur Grand	32-5/8"	22-1/2"	43"	38-1/4"	45"	12"	17-1/2"	
Voyageur	31-1/4"	21-1/4"	40-3/16"	37-1/2"	47-3/16"	12"	17-7/16"	
5100i	32-1/4"	27-1/4"	40-11/16"	33-1/2"	43-11/16"	12"	23-1/2"	
4100i	32-1/8"	22-5/8"	42-1/8"	36-1/4"	44-1/8"	12"	23-1/8"	
3100i	32-1/4"	27-1/4"	40-11/16"	33-1/2"	51-7/16" without mantel deflector 41-7/16" with mantel deflector	12"	23-1/2"	
2700i	28-1/2"	21-3/4"	36-1/16"	33-1/2"	43-1/2"	12"	17"	

## RECOMMENDED MINIMUM FIREPLACE OPENING FOR MASONRY AND ZERO CLEARANCE

Insert	A	B	C	D	Clearance Diagram
Voyageur Grand	24"	33-5/8"	24-3/4"	18-1/2"	
Voyageur	22"	33-7/8"	20-1/8"	18-5/8"	
5100i	21-1/2"	30-1/8"	26-1/2"	18-1/8"	
4100i	21-3/8"	31"	25"	16-3/4"	
3100i	22"	29-5/8"	24-7/8"	14-3/4"	
2700i	19-1/4"	33-1/2"	20-7/8"	18-1/8"	



Thank you from everyone at Quadra-Fire

# QUADRA-FIRE®

NOTHING BURNS LIKE A QUAD

www.quadrafire.com | 800-926-4356

[facebook.com/QuadraFire](https://www.facebook.com/QuadraFire)
[twitter.com/QuadraFire](https://twitter.com/QuadraFire)
[youtube.com/QuadraFirePower](https://www.youtube.com/QuadraFirePower)

Available From:

### Limited Lifetime Warranty<sup>4</sup>

The strongest in the industry, Quadra-Fire provides a limited lifetime warranty on the most important aspects: firebox and heat exchanger.

1: BTU/hr output: 1st hour output uses high burn efficiency number. BTU/hr output will vary depending on the type of fuel used and moisture content of the fuel. 2: See your local Quadra-Fire authorized dealer for help in determining the product that best suits your heating needs based on climate and home efficiency. 3: Weighted average LHV (Low Heating Value) efficiency. 4: For full warranty details go to [www.quadrafire.com](http://www.quadrafire.com).

IMPORTANT - READ BEFORE YOU INSTALL!

Refer to the Owner/Installation Manual for complete clearance requirements and specifications. Power cords for the fans will run along the hearth and can be directed to either side of the appliance for flexible installation. The images and descriptions in this brochure are provided to assist you in product selection only.

Quadra-Fire is a registered trademark of Hearth & Home Technologies. Product specifications and pricing subject to change without notice.

Fireplace, stove and insert surfaces get extremely HOT and can cause burns if touched. Keep a safe distance away. To learn more visit [www.quadrafire.com/fireplacesafety](http://www.quadrafire.com/fireplacesafety)

QDF-1035U-0616