



heatilator  
*The first name in fireplaces*

**SC60**

wood-burning fireplace

# SC60 wood-burning fireplace

## Incredible Heating Capacity

- Large viewing area with 36" wide and 19-1/8" tall opening
- Firebox assembly is fully insulated and comes standard with firebrick lining and outside air kit
- Standard 160 CFM fan with blower control connects directly to stainless steel heat tubes for added heat output
- Ability to control combustion rate and heat output via the air kit and flue damper assemblies
- A hearth extension is required
- SL300 series venting
- Tested and listed to UL safety standards



Cover/Above: SC60 shown with gasketed air control door.

## SC60 Options



Bi-fold Glass Door

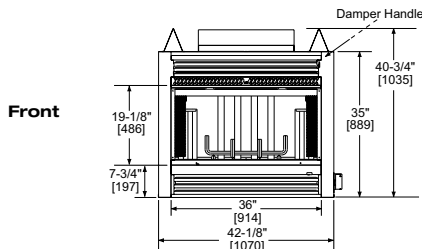
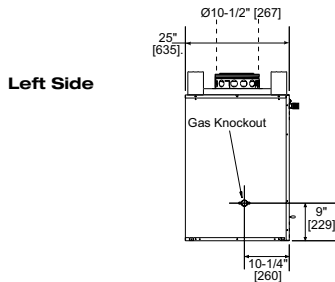


Gasketed Air Control Door

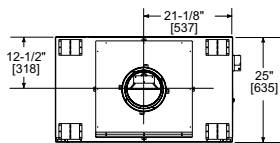


Fireside Supreme Oak Gas Logs

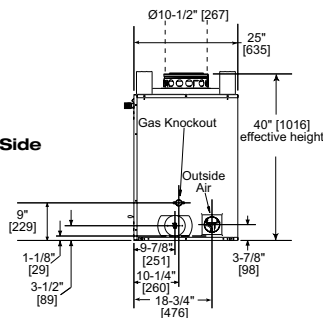
## SC60 Dimensions



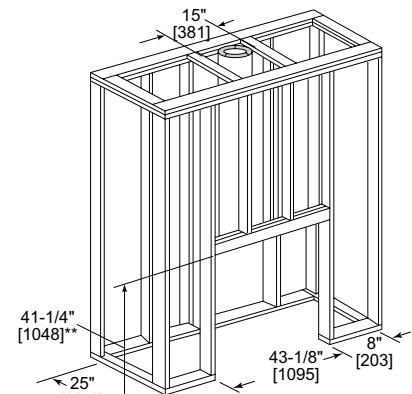
Top



Right Side



## Framing Dimensions



\* If interior of chase will be drywalled, add thickness to this measurement.  
\*\* Adjust header height for raised floor under fireplace

Available From

**heatilator**  
The first name in fireplaces

Phone: 800-927-6841  
Web: heatilator.com

facebook.com/Heatilator

twitter.com/Heatilator

youtube.com/HeatilatorFireplaces

### Limited Lifetime Warranty\*

The strongest in the industry, Heatilator provides a limited lifetime warranty on the most important aspects: firebox and heat exchanger.

The information provided in this literature is for planning purposes only and subject to change. Please consult the installation manual for actual installation. Actual product appearance may differ from product images.  
\*For full warranty details go to heatilator.com.

Fireplace surfaces get extremely HOT and can cause severe burns if touched. Keep a safe distance away. To learn more visit [www.heatilator.com/fireplacesafety](http://www.heatilator.com/fireplacesafety)

UL LISTED

HTL-1024U-0316