

Installation Manual

Installation & Appliance Set-Up

INSTALLER: Leave this manual with party responsible for use and operation.

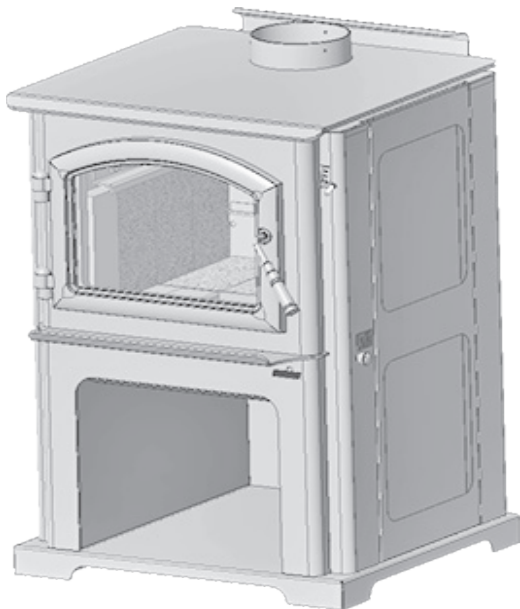
OWNER: Retain this manual for future reference.

NOTICE: DO NOT DISCARD THIS MANUAL

QUADRA-FIRE®

DISCOVERY I WOOD APPLIANCE
Automatic Combustion Control (ACC)

Model: *DISCOVERY-I*



Tested and
Listed by  Portland
Oregon USA
OMNI-Test Laboratories, Inc.

WARNING



Fire Risk.

For use with solid wood fuel only.
Other fuels may overfire and generate
poisonous gases (i.e. carbon monoxide).

myhht
FACTORY
training

Installation and service of this
appliance should be performed by
qualified personnel. Hearth & Home
Technologies recommends HHT
Factory Trained or NFI certified
professionals.



WARNING



If the information in these instructions is not followed exactly, a fire could result causing property damage, personal injury, or death.

- Do not store or use gasoline or other flammable vapors and liquids in the vicinity of this or any other appliance.
- Do not overfire - If appliance or chimney connector glows, you are overfiring. Overfiring will void your warranty.
- Comply with all minimum clearances to combustibles as specified. Failure to comply may cause house fire.

WARNING



HOT SURFACES!

Glass and other surfaces are hot during operation AND cool down.

Hot glass will cause burns.

- Do not touch glass until it is cooled
- NEVER allow children to touch glass
- Keep children away
- CAREFULLY SUPERVISE children in same room as appliance.
- Alert children and adults to hazards of high temperatures
- **High temperatures may ignite clothing or other flammable materials.**
- Keep clothing, furniture, draperies and other flammable materials away.

NOTE

To obtain a French translation of this manual, please contact your dealer or visit www.quadrafire.com

Pour obtenir une traduction française de ce manuel, s'il vous plaît contacter votre revendeur ou visitez www.quadrafire.com

! Safety Alert Key:

- **DANGER!** Indicates a hazardous situation which, if not avoided will result in death or serious injury.
- **WARNING!** Indicates a hazardous situation which, if not avoided may result in death or serious injury.
- **CAUTION!** Indicates a hazardous situation which, if not avoided, may result in minor or moderate injury.
- **NOTICE:** Indicates practices which may cause damage to the appliance or to property.

TABLE OF CONTENTS

1 Important Safety Information3	4 Chimney Systems10
A. Appliance Certification.....3	A. Locating Your Appliance & Chimney10
B. BTU & Efficiency Specifications3	B. Chimney Termination Requirements11
C. Mobile Home Approved.....3	C. 2-10-3 Rule11
D. Glass Specifications.....3	D. Chimney Height/Rise and Run12
E. Non-Combustible Materials.....3	E. Venting Components.....12
F. Combustible Materials3	F. Chimney Systems12
2 Getting Started4	G. Installing Chimney Components.....14
A. Design and Installation Considerations4	H. Proper Draft14
B. Fire Safety.....4	5 Appliance Set-Up15
C. Negative Pressure5	A. Outside Air Kit Installation15
D. Tools And Supplies Needed5	B. Decorative Panel Removal & Installation16
E. Inspect Appliance and Components.....5	C. Door Handle Assembly17
F. Install Checklist.....6	D. Blower (Optional)17
3 Dimensions and Clearances7	6 Mobile Home Installation.....18
A. Appliance Dimensions.....7	7 Accessory List19
B. Hearth Protection Requirements.....8	
C. Clearances to Combustibles9	

Quadra-Fire is a registered trademark of Hearth & Home Technologies.

1 Important Safety Information

A. Appliance Certification

Model:	Discovery I Wood Appliance
Laboratory:	OMNI Test Laboratories, Inc.
Report No & Date:	061-S-70-6
Type:	Listed Room Appliance, Solid Fuel Type
Standard:	UL1482 and ULC S627-00 and (UM) 84-HUD, Mobile Home Approved.

The Quadra-Fire Discovery I Wood Appliance meets the U.S. Environmental Protection Agency's crib wood emission limits for wood appliances sold after May 15, 2015.

B. BTU & Efficiency Specifications

EPA Certification #:	664
EPA Certified Emissions:	2.1 grams per hour
*LHV Tested Efficiency:	78.7%
**HHV Tested Efficiency:	72.9 %
***EPA BTU Output:	12,000 to 28,800 / hr.
****Peak BTU/Hour Output:	44,000
Vent Size:	6 inches
Firebox Size:	1.4 cubic feet
Recommended Wood Length:	16 inches
Fuel Orientation:	Front-to-Back
Fuel	Seasoned Cord Wood
*Weighted average LHV (Low Heating Value) efficiency using Douglas Fir dimensional lumber and data collected during EPA emission test. LHV assumes the moisture is already in a vapor state so there is no loss in energy to vaporize.	
**Weighted average HHV (High Heating Value) efficiency using Douglas Fir dimensional lumber and data collected during EPA emission test. HHV includes the energy required to vaporize the water in the fuel.	
***A range of BTU outputs based on EPA Default Efficiency and the burn rates from the low and high EPA tests, using Douglas Fir dimensional lumber.	
****A peak BTU out of the appliance calculated using the maximum first hour burn rate from the High EPA Test and the BTU content of cordwood (8600) times the efficiency.	

C. Mobile Home Approved

- This appliance is approved for mobile home installations; when not installed in a sleeping room and when an outside combustion air inlet is provided.
- The structural integrity of the mobile home floor, ceiling, and walls must be maintained.
- The appliance must be properly grounded to the frame of the mobile home with #8 copper ground wire.
- Outside Air Kit, part OAK-ACC must be installed in a mobile home installation.

NOTE: Hearth & Home Technologies, manufacturer of this appliance, reserves the right to alter its products, their specifications and/or price without notice.

NOTE: This installation must conform with local codes. In the absence of local codes you must comply with the UL1482-07, (UM) 84-HUD and NFPA211 in the U.S.A. and the ULC S627-00 and CAN/CSA-B365 Installation Codes in Canada.

Improper installation, adjustment, alteration, service or maintenance can cause injury or property damage. For assistance or additional information, consult a qualified installer, service agency or your dealer.

Hearth & Home Technologies WILL NOT warranty appliances that exhibit evidence of over-firing. Evidence of over-firing includes, but is not limited to:

- Warped air tube
- Deteriorated refractory brick retainers
- Deteriorated baffle and other interior components

D. Glass Specifications

This appliance is equipped with 5mm ceramic glass. Replace glass only with 5mm ceramic glass. Please contact your dealer for replacement glass.

E. Non-Combustible Materials

Material which will not ignite and burn, composed of any combination of the following:

- Steel
- Brick
- Concrete
- Glass
- Plaster
- Iron
- Tile
- Slate

Materials reported as passing **ASTM E 136, Standard Test Method for Behavior of Metals, in a Vertical Tube Furnace of 750° C.**

F. Combustible Materials

Material made of/or surfaced with any of the following materials:

- Wood
- Plant Fibers
- Plywood/OSB
- Compressed Paper
- Plastic
- Sheet Rock (drywall)

Any material that can ignite and burn: flame proofed or not, plastered or un-plastered.

Install Guide

2 Getting Started

A. Design and Installation Considerations

Consideration must be given to:

- Safety
- Convenience
- Traffic flow
- Chimney and chimney connector required

It is a good idea to plan your installation on paper, using exact measurements for clearances and floor protection, before actually beginning the installation. If you are not using an existing chimney, place the appliance where there will be a clear passage for a factory-built listed chimney through the ceiling and roof.

We recommend that a qualified building inspector and your insurance company representative review your plans before and after installation.

If this appliance is in an area where children may be near it is recommended that you purchase a decorative barrier to go in front of the appliance. Remember to always keep children away while it is operating and do not let anyone operate this appliance unless they are familiar with these operating instructions.

CAUTION

Check building codes prior to installation.

- Installation **MUST** comply with local, regional, state and national codes and regulations.
- Consult insurance carrier, local building, fire officials or authorities having jurisdiction about restrictions, installation inspection, and permits.



WARNING

Asphyxiation Risk.



- DO NOT CONNECT THIS APPLIANCE TO A CHIMNEY FLUE SERVICING ANOTHER APPLIANCE.
- DO NOT CONNECT TO ANY AIR DISTRIBUTION DUCT OR SYSTEM.

May allow flue gases to enter the house.

B. Fire Safety



To provide reasonable fire safety, the following should be given serious consideration:

1. Install at least one smoke detector on each floor of your home to ensure your safety. They should be located away from the heating appliance and close to the sleeping areas. Follow the smoke detector manufacturer's placement and installation instructions, and be sure to maintain regularly.
2. A conveniently located Class A fire extinguisher to contend with small fires resulting from burning embers.
3. A CO detector should be installed in the room with the appliance.
4. A practiced evacuation plan, consisting of at least two escape routes.
5. A plan to deal with a chimney fire as follows:
In the event of a chimney fire:
 - a. Evacuate the house immediately
 - b. Notify fire department.

NOTICE: HEARTH & HOME TECHNOLOGIES ASSUMES NO RESPONSIBILITY FOR THE IMPROPER PERFORMANCE OF THE APPLIANCE SYSTEM CAUSED BY:

- Inadequate draft due to environmental conditions
- Downdrafts
- Tight sealing construction of the structure
- Mechanical exhausting devices
- Overdrafting caused by excessive chimney heights
- Ideal performance is with height of chimney between 14-16 feet (4.26-4.88m) measured from the base of the appliance.

C. Negative Pressure

 WARNING	
	<p>Asphyxiation Risk.</p> <ul style="list-style-type: none"> • Negative pressure can cause spillage of combustion fumes, soot and carbon monoxide. • Appliance needs to draft properly for safety.

Negative pressure results from the imbalance of air available for the appliance to operate properly. It can be strongest in lower levels of the house.

Causes include:

- Exhaust fans (kitchen, bath, etc.)
- Range hoods
- Combustion air requirements for furnaces, water appliances and other combustion appliances
- Clothes dryers
- Location of return-air vents to furnace or air conditioning
- Imbalances of the HVAC air handling system
- Upper level air leaks such as:
 - Recessed lighting
 - Attic hatch
 - Duct leaks

To minimize the effects of negative air pressure:

- Install optional outside air kit with the intake facing prevailing winds during the heating season
- Ensure adequate outdoor air for all combustion appliances and exhaust equipment
- Ensure furnace and air conditioning return vents are not located in the immediate vicinity of the appliance
- Avoid installing the appliance near doors, walkways or small isolated spaces
- Recessed lighting should be a “sealed can” design
- Attic hatches weather stripped or sealed
- Attic mounted duct work and air handler joints and seams taped or sealed
- Basement installations should be avoided

WARNING



Fire Risk.

Hearth & Home Technologies disclaims any responsibility for, and the warranty will be voided by, the following actions:

- Installation and use of any damaged appliance.
- Modification of the appliance.
- Installation other than as instructed by Hearth & Home Technologies.
- Installation and/or use of any component part not approved by Hearth & Home Technologies.
- Operating appliance without fully assembling all components.
- Operating appliance without legs attached (if supplied with appliance).
- Do NOT Overfire - If appliance or chimney connector glows, you are overfiring.

Any such action that may cause a fire hazard.

D. Tools And Supplies Needed

Before beginning the installation be sure the following tools and building supplies are available:

Reciprocating saw	Framing material
Pliers	High temp caulking material
Hammer	Gloves
Phillips screwdriver	Framing square
Flat blade screwdriver	Electric drill and bits
Plumb line	Safety glasses
Level	Tape measure
Misc. screws and nails	
1/2-3/4 in. length, #6 or #8 self-drilling screws	

E. Inspect Appliance and Components

- Remove appliance and components from packaging and inspect for damage.
- Report to your dealer any parts damaged in shipment.
- **Read all the instructions before starting the installation. Follow these instructions carefully during the installation to ensure maximum safety and benefit.**

WARNING



Fire Risk.

Inspect appliance and components for damage. Damaged parts may impair safe operation.

- Do NOT install damaged components.
- Do NOT install incomplete components.
- Do NOT install substitute components.

Report damaged parts to dealer.

F. Install Checklist

**ATTENTION INSTALLER:
Follow this Standard Work Checklist**

This standard work checklist is to be used by the installer in conjunction with, not instead of, the instructions contained in this installation manual.

Customer: _____
 Date Installed: _____
 Lot/Address: _____
 Location of Appliance: _____
 Installer: _____
 Dealer/ Distributor Phone #: _____
 Serial #: _____
 Model : _____

WARNING! Risk of Fire or Explosion! Failure to install appliance according to these instructions can lead to a fire or explosion.

Appliance Install

Verified clearances to combustibles.
 Appliance is leveled and connector is secured to appliance.
 Hearth extension size/height decided.
 Outside air kit installed.
 Floor protection requirements have been met.
 If appliance is connected to a masonry chimney, it should be cleaned and inspected by a professional. If installed to a factory built metal chimney, the chimney must be installed according to the manufacturer's instructions and clearances.

YES

IF NO, WHY?

<input type="checkbox"/>
<input type="checkbox"/>
<input type="checkbox"/>
<input type="checkbox"/>
<input type="checkbox"/>
<input type="checkbox"/>

Chimney

Chimney configuration complies with diagrams.
 Chimney installed, locked and secured in place with proper clearance.
 Chimney meets recommended height requirements (14-16 feet).
 Roof flashing installed and sealed.
 Terminations installed and sealed.

<input type="checkbox"/>
<input type="checkbox"/>
<input type="checkbox"/>
<input type="checkbox"/>
<input type="checkbox"/>

Clearances

Combustible materials not installed in non-combustible areas.
 Verified all clearances meet installation manual requirements.
 Mantels and wall projections comply with installation manual requirements.
 Protective hearth strips and hearth extension installed per manual requirements.

<input type="checkbox"/>
<input type="checkbox"/>
<input type="checkbox"/>
<input type="checkbox"/>

Appliance Setup

All packaging and protective materials removed.
 Firebrick, baffle and ceramic blanket installed correctly.
 All labels have been removed from the door.
 All packaging materials are removed from inside/under the appliance.
 Manual bag and all of its contents are removed from inside/under the appliance and given to the party responsible for use and operation.

<input type="checkbox"/>
<input type="checkbox"/>
<input type="checkbox"/>
<input type="checkbox"/>
<input type="checkbox"/>

Hearth & Home Technologies recommends the following:

- Photographing the installation and copying this checklist for your file.
- That this checklist remain visible at all times on the appliance until the installation is complete.

Comments: Further description of the issues, who is responsible (Installer/Builder/Other Trades, etc.) and corrective action needed:

Comments communicated to party responsible _____ by _____ on _____
 (Builder/Gen. Contractor) (Installer) (Date)

3 Dimensions and Clearances

A. Appliance Dimensions

NOTE: Flue Collar size is 6 inch (152mm) diameter (ID)

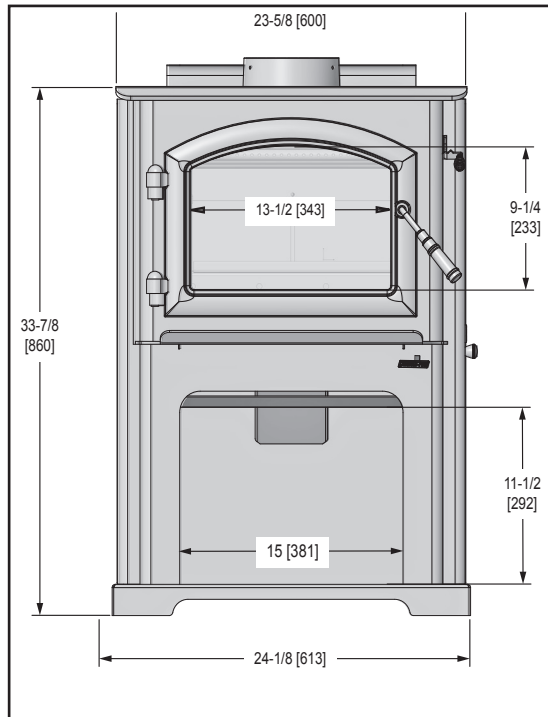


Figure 7.1 Front View

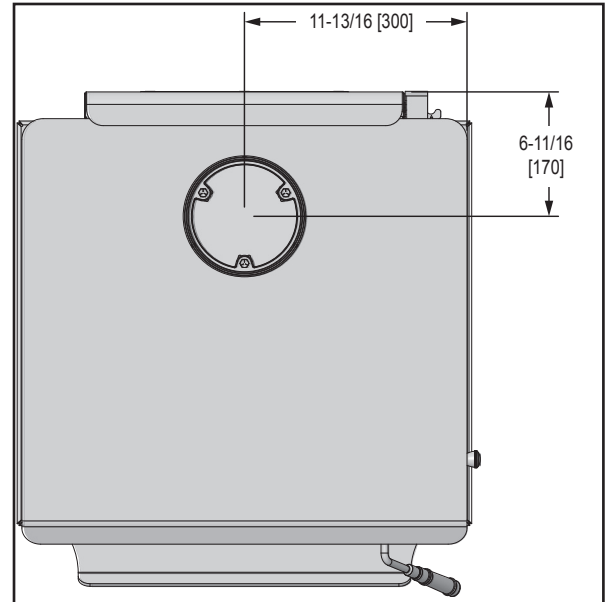


Figure 7.2 Top View

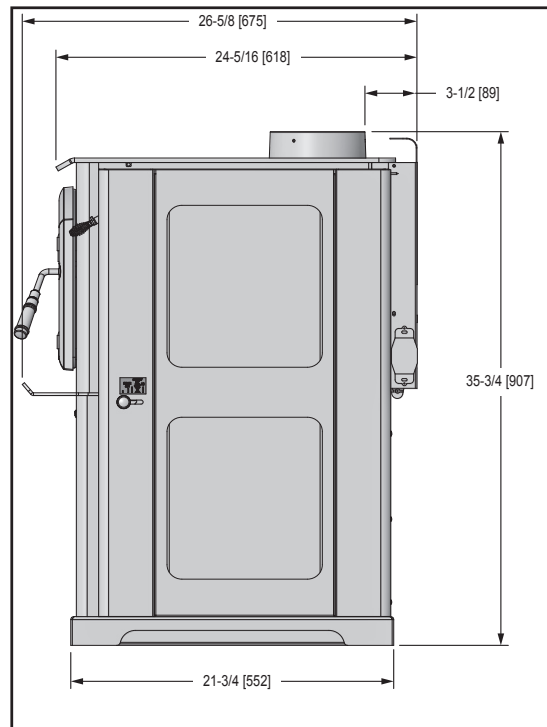


Figure 7.3 Side View

B. Hearth Protection Requirements

FLOOR PROTECTION: Floor protector must be non-combustible material, extending beneath appliance and to the front, sides and rear as indicated. The floor must be non-combustible or otherwise adequately protected from radiant heat given off by the appliance and from sparks and falling embers. A layer of thin brick or ceramic tile over a combustible floor is not sufficient.

It is necessary to install a Type I floor protector with a minimum of 16 inches (406mm) in front of glass and 8 inches (203mm) to both sides of the fuel loading door. Open the door and measure 8 inches (203mm) from the side edge of the opening in the face of the appliance.

In Canada, similar floor protection must be provided 18 inches (457mm) in front and 8 inches (203mm) from the sides and rear of the appliance. **Figure 8.2 *See exception.**

***EXCEPTION:** Non-combustible floor protections must extend beneath the flue pipe when installed with horizontal venting and extend 2 inches (51mm) beyond each side. **See Figure 8.2**


WARNING



Fire Risk.
Hearth pads must be installed exactly as specified. High temperatures or hot embers may ignite concealed combustibles.

Corner hearth pad dimensions with single wall pipe

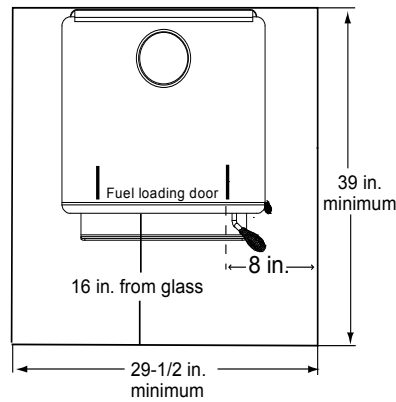


Figure 8.1

USA

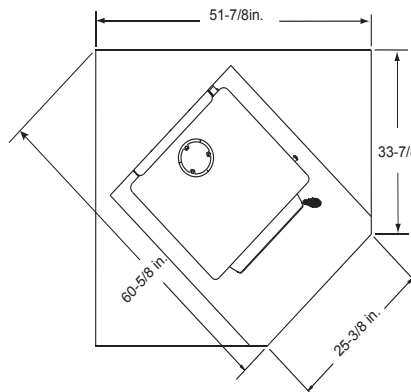


Figure 8.3

USA

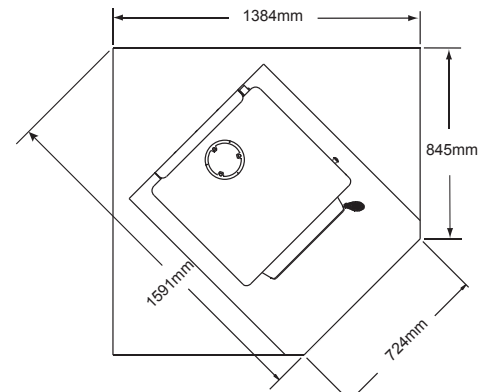


Figure 8.4

CANADA

Corner hearth pad dimensions with double wall pipe

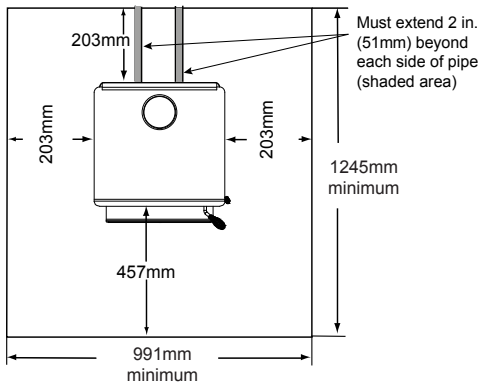


Figure 8.2

CANADA

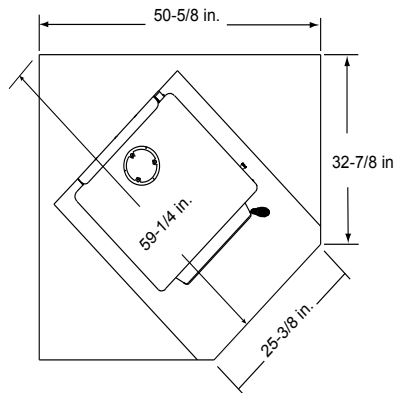


Figure 8.5

USA

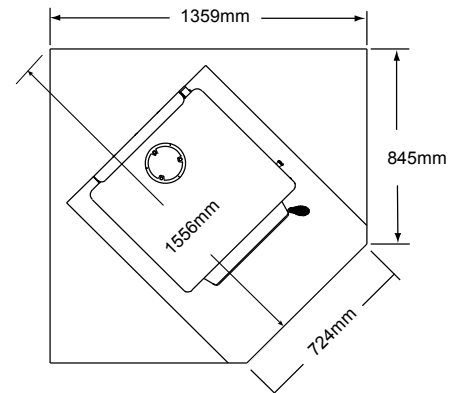


Figure 8.6

CANADA

C. Clearances to Combustibles

MINIMUM CLEARANCES TO COMBUSTIBLE MATERIALS in inches (Millimeters)
 Note: A, C, and F Dimensions are to the center of the flue collar

DISCOVERY-I

INSTALLATION: FULL VERTICAL

	A	B	C	D	E	F	G	H*
SINGLE WALL PIPE	18 (457)	11 (275)	24-1/2 (622)	13 (330)	8-1/2 (216)	20 (508)	56 (1422)	N/A
DOUBLE WALL PIPE	11-3/4 (298)	5-3/4 (146)	23 (584)	10-1/2 (267)	7-1/2 (191)	19 (483)	43 (1092)	N/A

INSTALLATION: 90 DEGREE ELBOW OFF TOP OF STOVE THROUGH BACKWALL

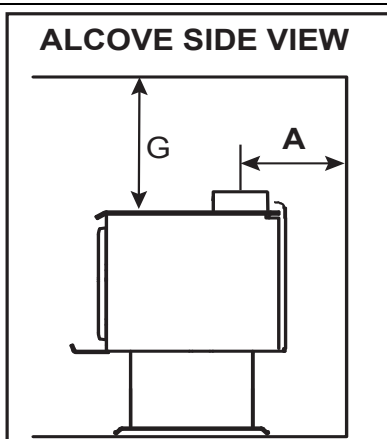
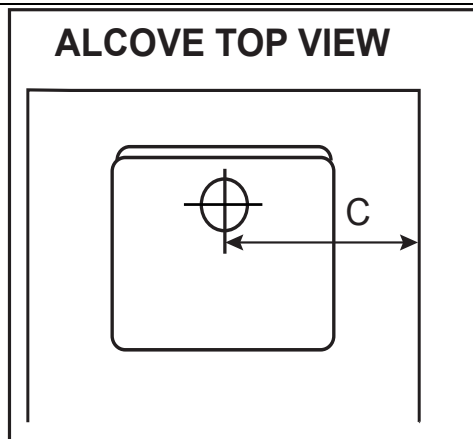
SINGLE WALL PIPE	17 (432)	10 (254)	23-1/2 (597)	12 (305)	8-1/2 (216)	20 (508)	56 (1422)	9-1/2 (241)
DOUBLE WALL PIPE	12-1/2 (318)	5-1/2 (140)	24-1/2 (622)	13 (330)	7-1/2 (191)	19 (483)	43 (1092)	5 (127)

INSTALLATION: ALCOVE

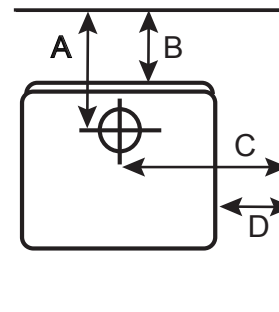
DOUBLE WALL PIPE	12-1/2 (318)	5-1/2 (140)	24-1/2 (622)	13-1/2 (343)	N/A	N/A	43 (1092)	5 (127)
-------------------------	--------------	-------------	--------------	--------------	-----	-----	-----------	---------

For alcove only: Six inch diameter listed Double wall air insulated connector pipe with UL103 HT listed factory built Class A chimney or masonry chimney. Maximum depth of Alcove shall be no more than 48 inches (1219mm) and the referenced alcove clearances. Canada must comply with **CAN/ULC-S269 M87** for the 650° factory built chimney.

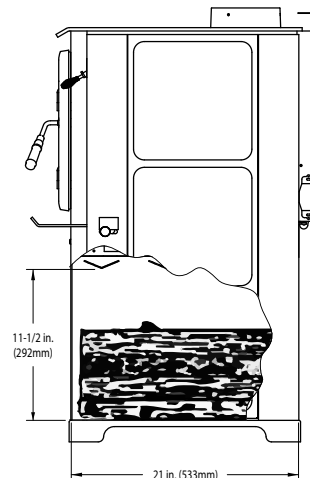
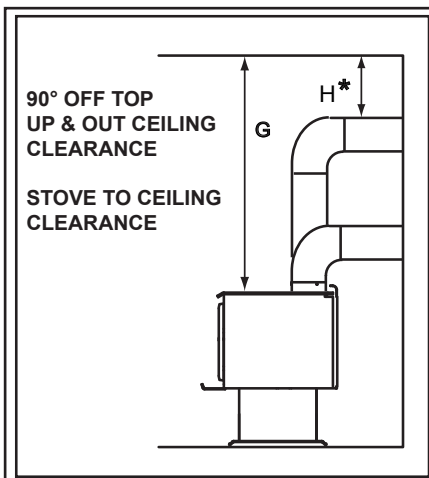
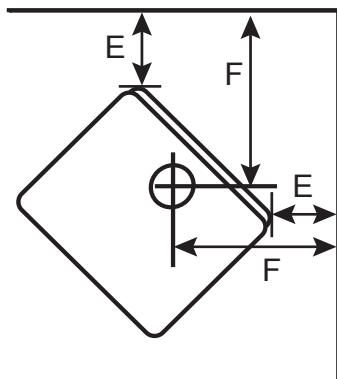
*** FOLLOW PIPE MANUFACTURES CLEARANCES AS REQUIRED**



BACKWALL / SIDEWALL



CORNER INSTALLATION



NOTE: Clearances may only be reduced by means approved by the regulatory authority having jurisdiction

WARNING



Fire Risk.

- Comply with all minimum clearances to combustibles as specified.
- Failure to comply may cause house fire.

4 Chimney Systems

A. Locating Your Appliance & Chimney

Location of the appliance and chimney will affect performance. As shown in **Figure 10.1** the chimney should:

- Install through the warm space enclosed by the building envelope. This helps to produce more draft, especially during lighting and die down of the fire.
- Penetrate the highest part of the roof. This minimizes the affects of wind turbulence and down drafts.

- Consider the appliance location in order to avoid floor and ceiling attic joists and rafters.
- Locate termination cap away from trees, adjacent structures, uneven roof lines and other obstructions.

Your local dealer is the expert in your geographic area and can usually make suggestions or discover solutions that will easily correct your flue problem.

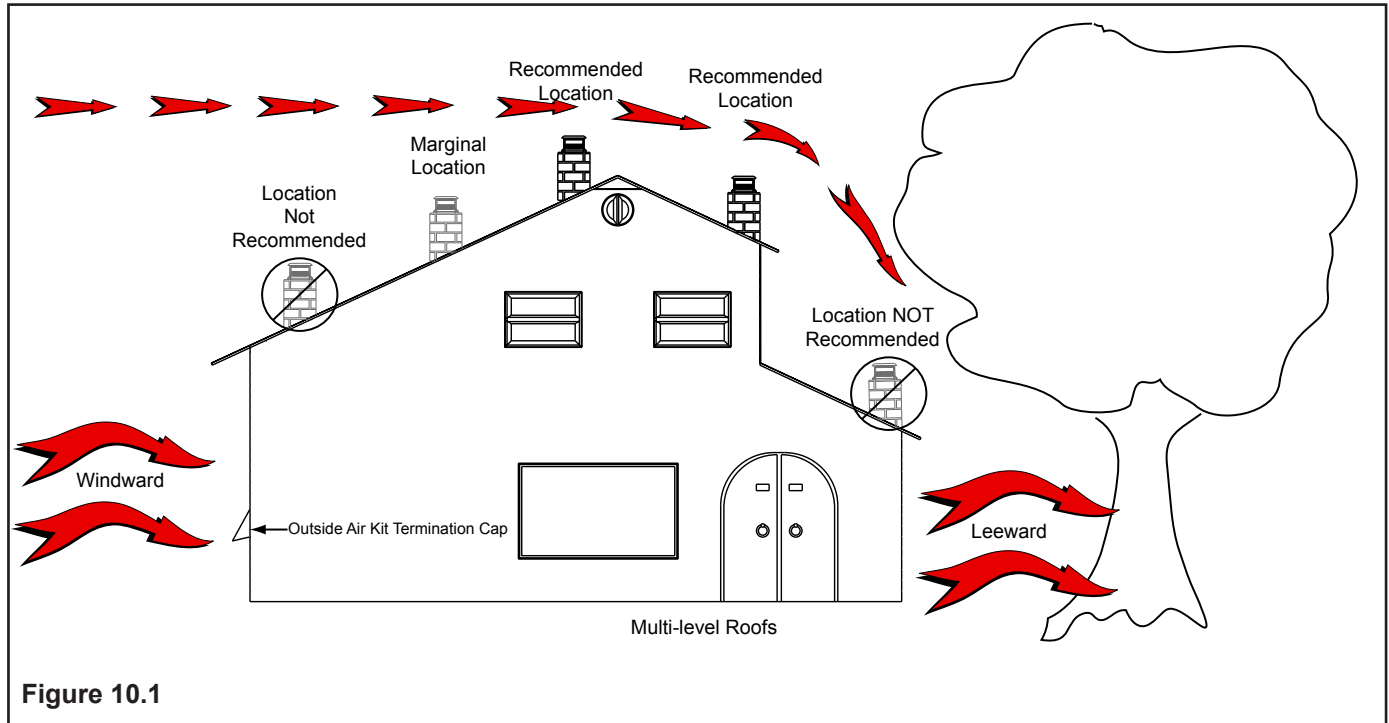


Figure 10.1

B. Chimney Termination Requirements

Follow manufacturer's instructions for clearance, securing flashing and terminating the chimney. **Fig. 11.1 & 11.2**

- Must have an approved and Listed cap
- Must not be located where it will become plugged by snow or other material
- Must terminate at least 3 feet (91cm) above the roof **and** at least 2 feet (61cm) above any portion of the roof within 10 feet (305cm).
- Must be located away from trees or other structures

NOTICE:

- Chimney performance may vary.
- Trees, buildings, roof lines and wind conditions affect performance.
- Chimney height may need adjustment if smoking or overdraft occurs.

NOTICE: Locating the appliance in a basement or in a location of considerable air movement can cause intermittent smoke spillage from appliance. Do not locate appliance near

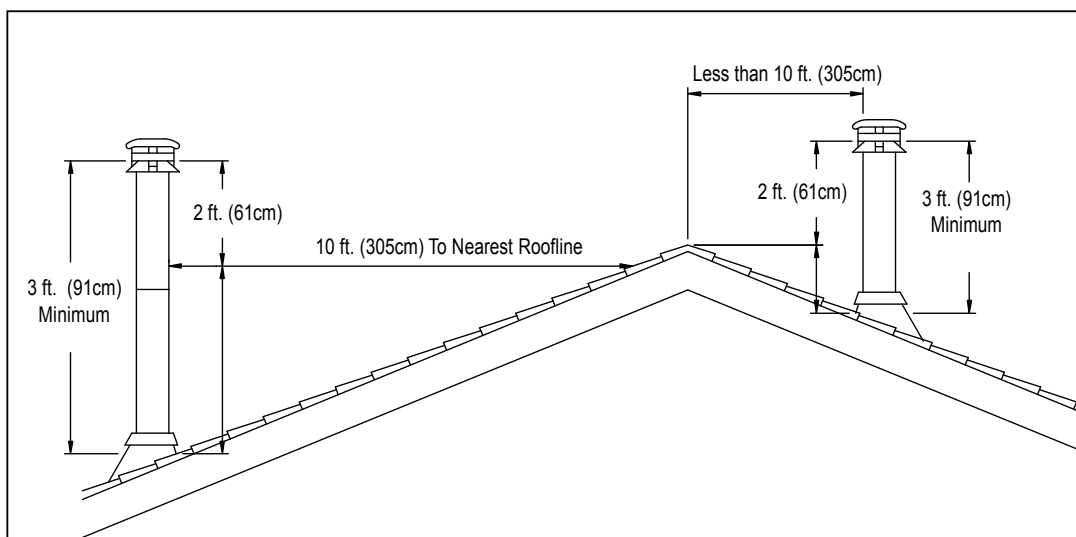
- Frequently open doors
- Central heat outlets or returns

C. 2-10-3 Rule

These are safety requirements and are not meant to assure proper flue draft.

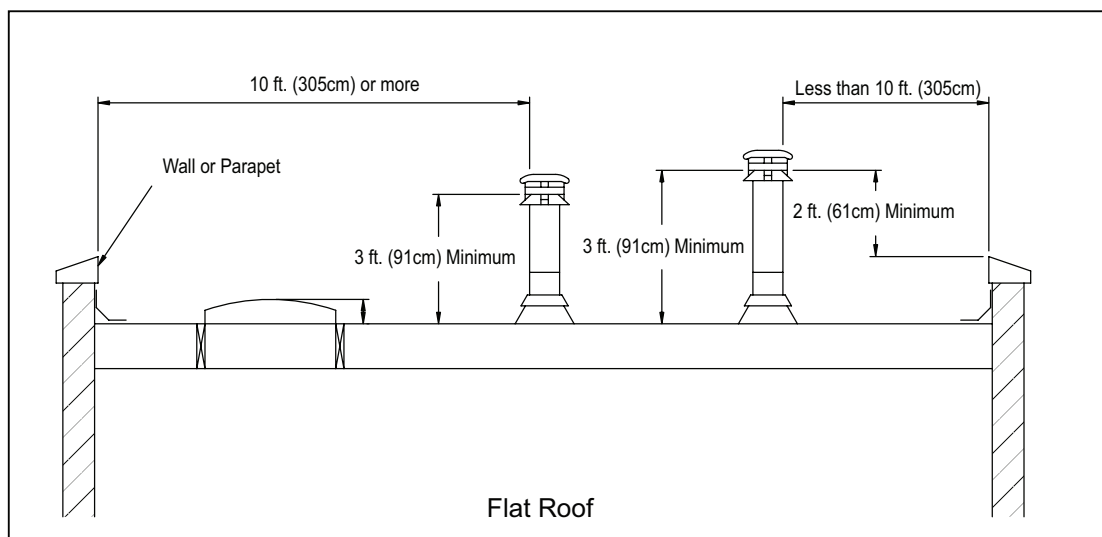
This appliance is made with a 6 inch (152mm) diameter chimney connector as the flue collar on the appliance.

- Changing the diameter of the chimney can affect draft and cause poor performance.
- It is not recommended to use offsets and elbows at altitudes above 4000 feet above sea level and or when there are other factors that affect flue draft.



Pitched Roof

Figure 11.1




Flat Roof


Figure 11.2

D. Chimney Height / Rise and Run

This product was designed for and tested on a 6 inch (152mm) chimney, 14 to 16 feet (420-480cm) high, (includes appliance height) measured from the base of the appliance. The further your stack height or diameter varies from this configuration, the greater the likelihood it may affect performance.

Chimney height may need to be increased by 2 - 3% per each 1000 feet above sea level. It is not recommended to use offsets or elbows at altitudes above 4000 feet above sea level or when there are other factors that affect flue draft.

WARNING	
	<p>Fire Risk. Inspection of Chimney:</p> <ul style="list-style-type: none"> Chimney must be in good condition. Meets minimum standard of NFPA 211 <p>• Factory-built chimney must be 6 inch (152mm) UL103 HT.</p>

WARNING	
	<p>Asphyxiation Risk.</p> <ul style="list-style-type: none"> DO NOT CONNECT THIS Appliance TO A CHIMNEY FLUE SERVICING ANOTHER APPLIANCE. DO NOT CONNECT TO ANY AIR DISTRIBUTION DUCT OR SYSTEM. <p>May allow flue gases to enter the house.</p>

WARNING	
<p>Improper installation, adjustment, alteration, service or maintenance can cause injury or property damage. Refer to the owner's information manual provided with this appliance. For assistance or additional information consult a qualified installer, service agency or your dealer.</p>	

E. Venting Components

Chimney Connector:

It is also known as flue pipe or appliance pipe. The chimney connector joins the appliance to the chimney. It must be a 6 inch (152mm) minimum diameter 24 gauge mild steel black or 26 gauge blued steel, or an approved air-insulated double wall venting pipe.

Thimble:

A manufactured or site-constructed device installed in combustible walls through which the chimney connector passes to the chimney. It is intended to keep the walls from igniting. Site constructed thimbles must meet NFPA 211 Standards. Prefabricated must be suitable for use with selected chimney and meet UL103 Type HT Standards. Follow instructions provided by the manufacturer for manufactured thimbles for masonry chimney and prefabricated chimneys.

Chimney:

The chimney can be new or existing, masonry or prefabricated and must meet the following minimum requirements and as specified in Section 4F.

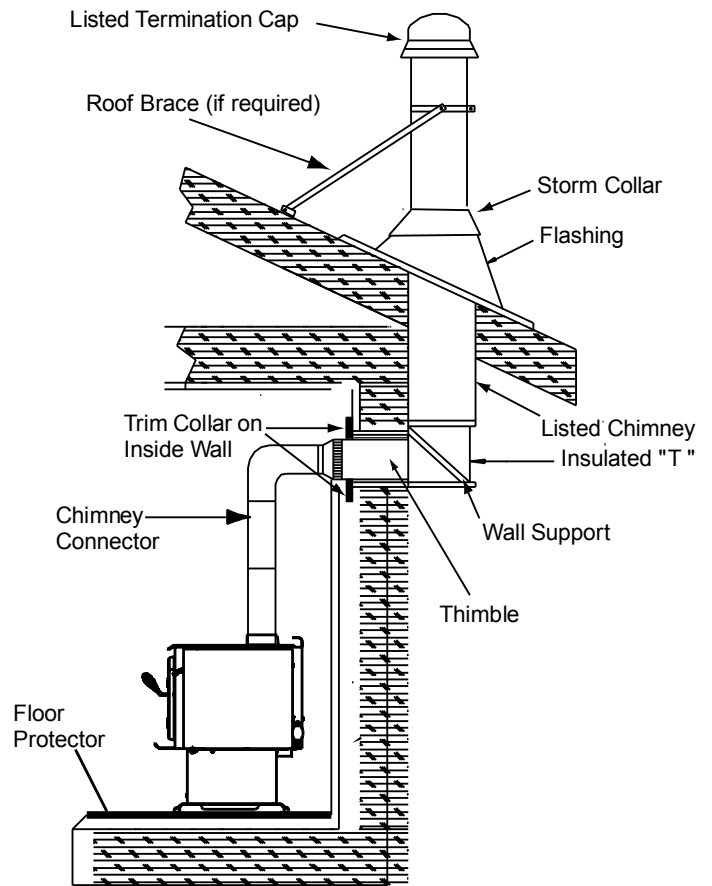


Figure 12.1 Prefabricated Exterior Chimney

F. Chimney Systems

Prefabricated Metal Chimney

- Must be minimum 6 inch (152mm) diameter (ID) high temperature chimney listed to UL 103 HT (2100°F) or ULC S629M.
- Must use components required by the manufacturer for installation.
- Must maintain clearances required by the manufacturer for installation.
- Refer to manufacturers instructions for installation.

NOTE: In Canada when using a factory-built chimney it must be safety listed, **Type UL103 HT (2100°F) CLASS "A"** or conforming to **CAN/ULC-S629M, STANDARD FOR 650°C FACTORY-BUILT CHIMNEYS.**

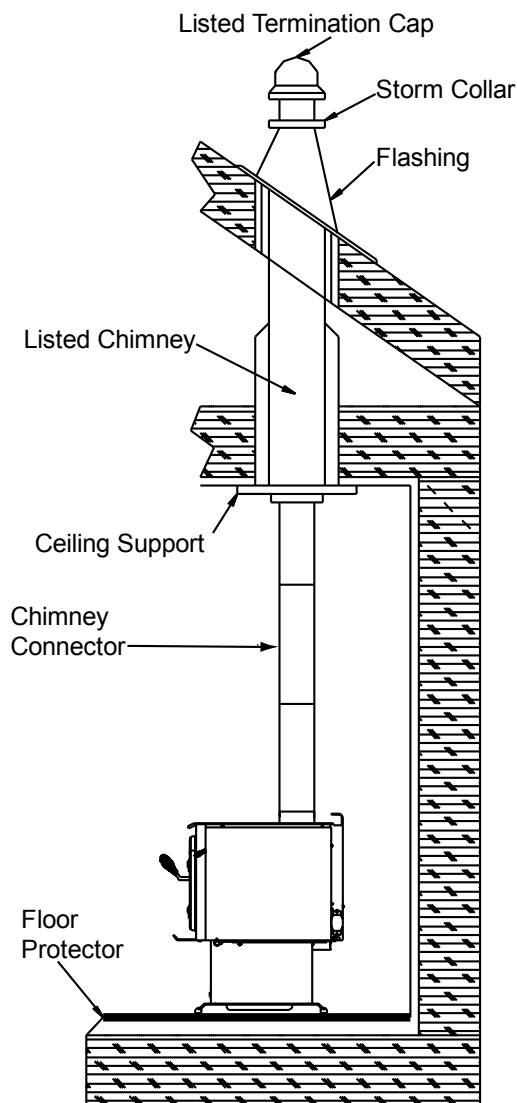


Figure 13.1 - Prefabricated Interior Chimney

Thimble

Site constructed for masonry chimney installation:

Components

- A minimum length of 12 inches [305mm] (longer for thicker walls) of solid insulated factory-built chimney length constructed to UL 103 Type HT 6 inch (152mm) inside diameter. Chimney needs to extend a minimum of 2 inches (51mm) from the interior wall and a minimum of 1 inch (25mm) from the exterior wall.
- Wall spacer, trim collar and wall band to fit solid pack chimney selected.
- Minimum 8 inch (203mm) diameter clay liner section (if not already present in chimney) and refractory mortar.
- When jurisdiction requires install approved chimney liner in masonry chimney.

Air Clearances

- Masonry chimney clearance must meet NFPA 211 minimum requirement of 2 inches (51mm) to sheet metal supports and combustibles.

- Minimum of 1 inch (25mm) clearance around the chimney connector.
- Top of wall opening is a minimum of 13-1/2 inches (343mm) from ceiling or 4-1/2 inches (114mm) below minimum clearance specified by chimney connector manufacturer. NFPA 211 minimum vertical clearance of 18 inches (457mm) from chimney connector and ceiling or minimum recommended by chimney connector manufacturer. **Figure 13.2**

Instructions:

1. Open inside wall at proper height for the chimney connector to entry the masonry chimney. **Figure 13.2**
2. Entry hole to masonry chimney must be lined with an 8 inch (203mm) minimum diameter clay liner, or equivalent, secured with refractory mortar.
3. Construct a 17 inch x 17 inch (432mm x 432mm) outside dimension frame from 2 x 2 framing lumber to fit into wall opening. Inside opening of frame should be no less than 14 inch x 14 inch (356mm x 356mm). **Figure 13.2**
4. Attach the wall spacer to the chimney side of the frame.
5. Nail the frame into the wall opening. The spacer should be on the chimney side.
6. Insert the section of the solid insulated chimney into the outer wall of the masonry chimney.
7. Tightly secure the length of the solid insulated chimney with the wall band to the masonry chimney.
8. Insert a section of chimney connector into the chimney. Make sure it does not protrude past the edge of the clay chimney liner inside the chimney.
9. Seal the end of the chimney connector to the clay liner with refractory mortar.
10. Install trim collar around the sold pack chimney section.

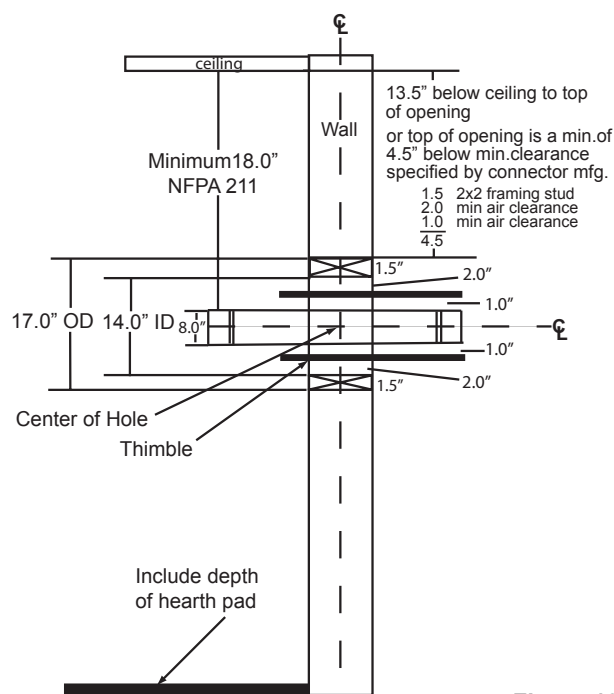


Figure 13.2

Solid Pack Chimney with Metal Supports as a Thimble

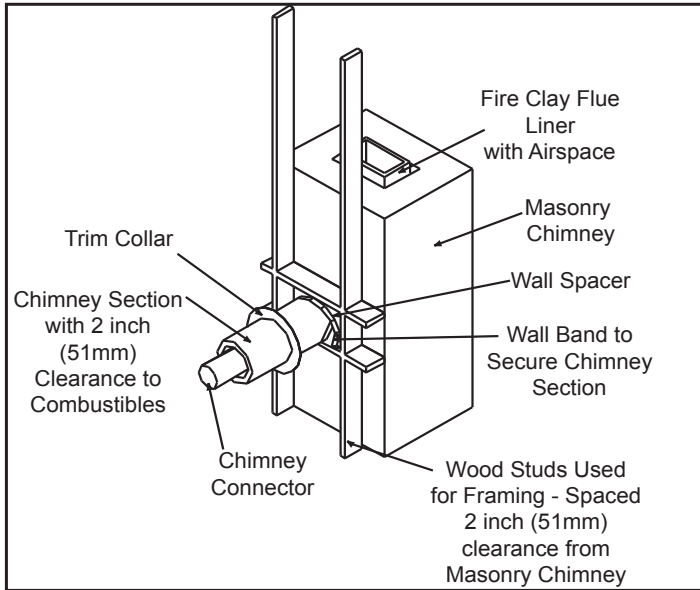


Figure 14.2

WARNING

Fire Risk.
Do NOT pack insulation or other combustibles between spacers.

- ALWAYS maintain specified clearances around venting and spacers.
- Install spacers as specified.

Failure to keep insulation or other material away from vent pipe may cause fire.

Solid Pack Chimney with Metal Supports as a Thimble (Cont'd)

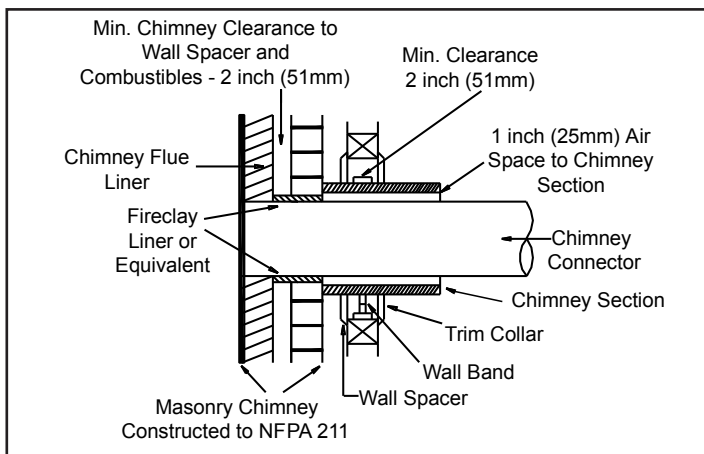


Figure 14.1

G. Installing Chimney Components

Chimney Connector

Single wall connector or appliance pipe.

This must be at least 24 gauge mild steel or 26 gauge blue steel. The sections must be attached to the appliance and to each other with the crimped (male) end pointing toward the appliance. All joints, including the connection at the flue collar, should be secured with 3 sheet metal screws. Make sure to follow the minimum clearances to combustibles. Where passage through the wall, or partition of combustible construction is desired in Canada, the installation shall conform to CAN/CSA-B365.

Factory-built listed chimney connector (vented).

A listed connector (vented) must be used when installing this appliance in a mobile home. The listed connectors must conform to each other to ensure a proper fit and seal.

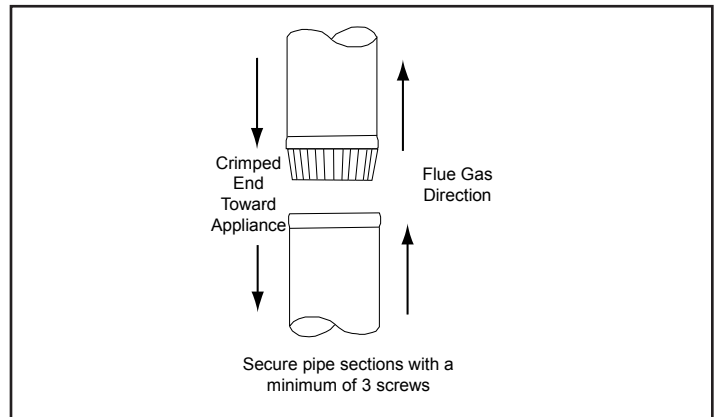


Figure 14.2 Chimney Connector (Appliance Pipe)

WARNING

Fire Risk.
Follow Chimney Connector Manufacturer's Instructions for Proper Installation.

ONLY use connector:

- Within the room, between appliance and ceiling or wall.

Connector shall NOT pass through:

- Attic or roof space
- Closet or similar concealed space
- Floor or ceiling

Maintain minimum clearances to combustibles

H. Proper Draft

To be sure that your Quadra-Fire insert burns properly, the chimney draft (static pressure) should be approximately -0.10 inches water column (W.C.) during a high burn and -0.04 inches W.C. during a low burn, measured 6 inches (152mm) above the top of the insert after one hour of operation at each burn setting.

5 Appliance Set-Up

A. Outside Air Kit Installation

A source of air (oxygen) is necessary in order for combustion to take place. Whatever combustion air is consumed by the fire must be replaced. Air is replaced via air leakage around windows and under doors. In homes that have tightly sealed doors and windows, an outside air source is needed. An optional Outside Air Kit is available.

Optional OAK-ACC includes: Termination cap, (2) wire ties, flex adapter, and fasteners

Items Needed for Installation (not supplied)

- 4 inch flex aluminum pipe, or if using alternate material, then it shall be made from durable, non-combustible, heat resistant material up to 350°F. Cut the pipe to the required length for your installation.
- Phillips head screw driver
- Silicone sealant
- Drills and saws necessary for cutting holes through the wall or flooring in your home.

Installation Instructions

1. Remove all materials from packing box.
2. **Floor & Rear Installation:** Cut a 4 inch (102mm) hole in outside wall or floor to accommodate outside air piping. Use 4 inch (102mm) aluminum metal flex or rigid piping to directly connect outside air to appliance intake. Use the supplied termination cap with a rodent screen. Seal between the wall (or floor) and the pipe with silicone to prevent moisture penetration.

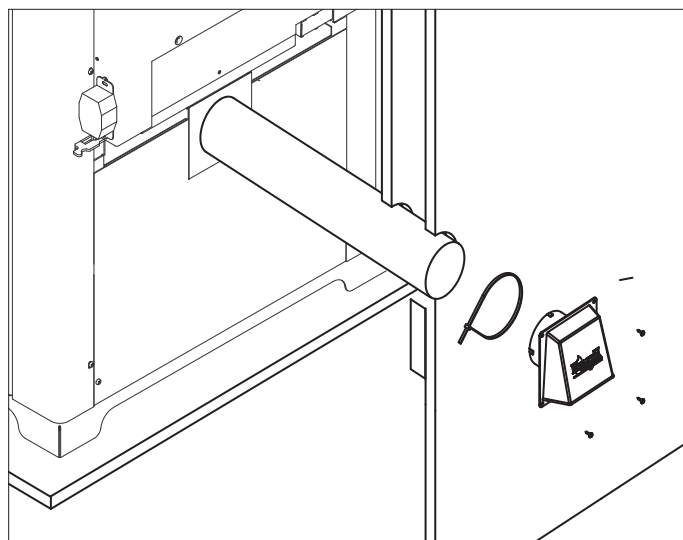


Figure 15.1 - Rear Installation

! WARNING

Fire Risk. Asphyxiation Risk.

Do not draw outside combustion air from:

- Wall, floor or ceiling cavity
- Enclosed space such as an attic or garage
- Close proximity to exhaust vents or chimneys

Fumes or odor may result

! WARNING

Asphyxiation Risk.

Outside air inlet must be located to prevent blockage from:

- Leaves
- Snow or ice
- Other debris

Block may cause combustion air starvation

Smoke spillage may set off alarms or irritate sensitive individuals.

! WARNING

Asphyxiation Risk.

Length of outside air supply duct shall NOT exceed the length of the vertical height of the exhaust flue.

- Fire will not burn properly
- Smoke spillage occurs when door is opened due to air starvation

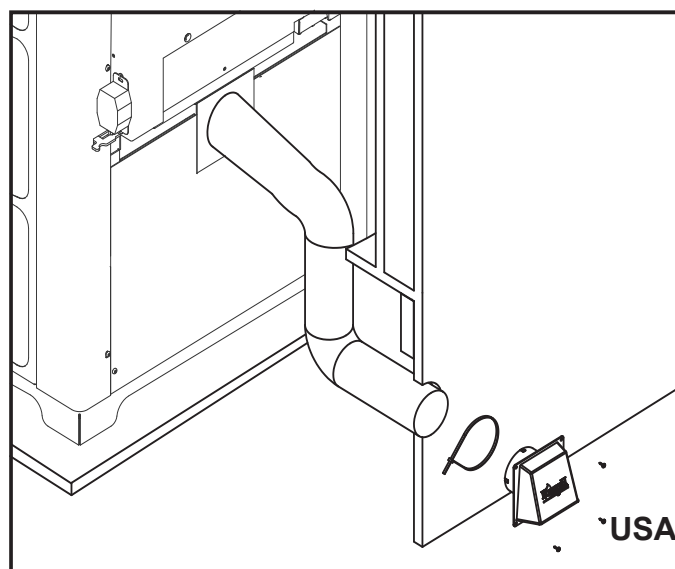


Figure 15.2 - Floor Installation

B. Decorative Panel Removal & Installation

Your appliance ships with two different side options, one is a solid side panel (**Figure 16.1**) and tile side panel (**Figure 16.3**). There are two of each and no left or right side, these can be changed at anytime.

The appliances are being shipped with a solid side panel securing clip on both sides of the appliance. Please remove and discard pins prior to use. (**Figures 16.4**)

Solid Side Panel Removal

1. Remove solid panel from side by lifting up and pulling away from appliance (use a flat tool to pry from bottom if needed).

Figure 16.5

Note: 300 degree F high temp paint can be use to repaint the solid side panel only! DO NOT use on the rest of appliance this requires 1200 degree F high temp paint.

Tile Panel Installation

1. Remove tile frame from side by lifting up and pulling away from appliance. **Figure 16.5** reference **solid side panel removal**.
2. Stack non-combustible material tiles in tile frame as shown in **Figure 16.2** by sliding first tile in, bend tabs on back side, then slide last tile in position so that it rests on tabs **Figure 16.3**.
3. Reattach tile frame **Figure 16.6**.

Tile Dimensional Requirements:

Max Thickness: 5/16"

Max Length/Width: 11-7/8" square

Min Length/Width: 11-11/16" square

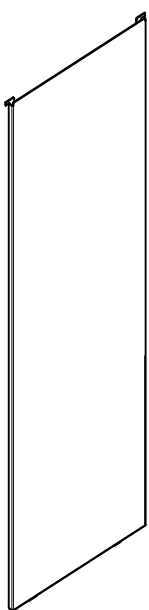


Figure 16.1

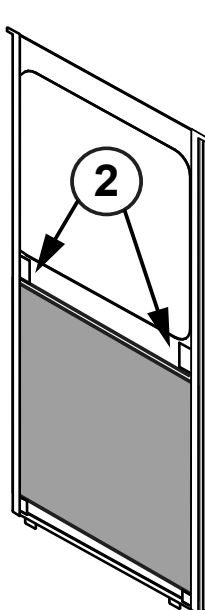


Figure 16.2

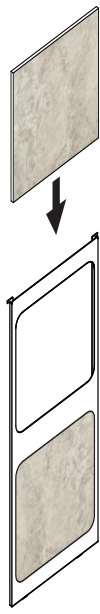


Figure 16.3

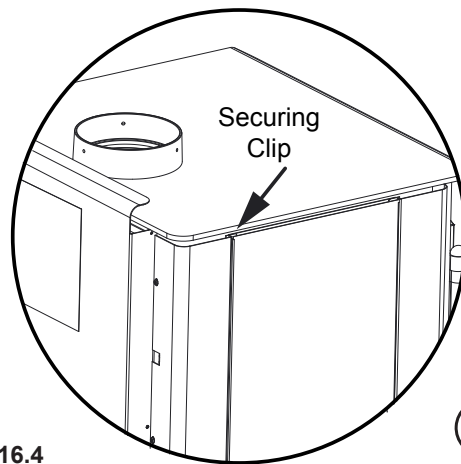


Figure 16.4

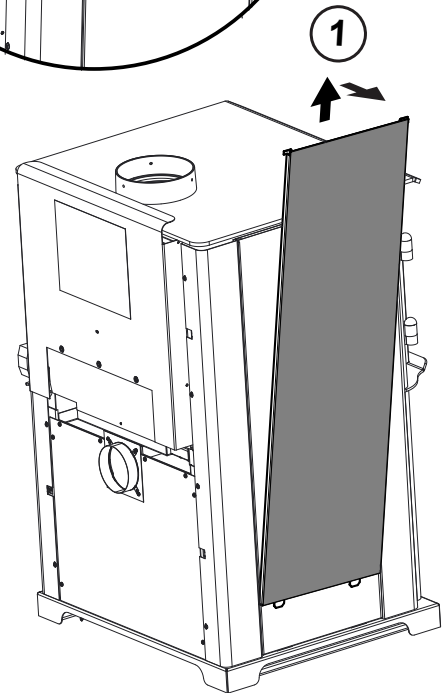


Figure 16.5

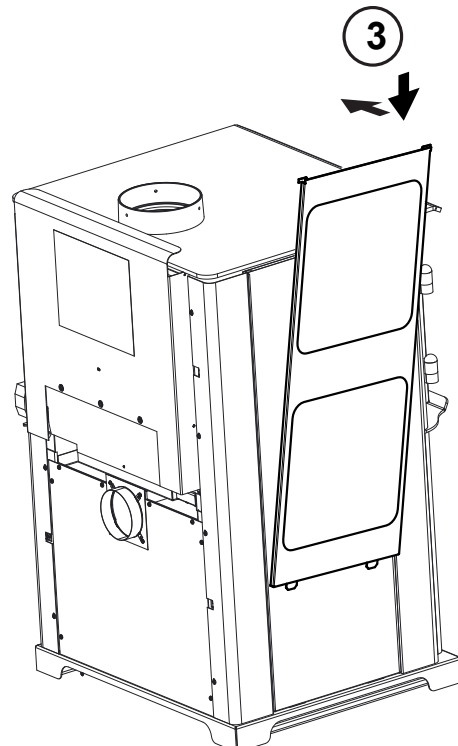


Figure 16.6

WARNING!

Use only noncombustible materials as a decorative tile.

C. Door Handle Assembly

1. Install fiber handle to door handle rod.

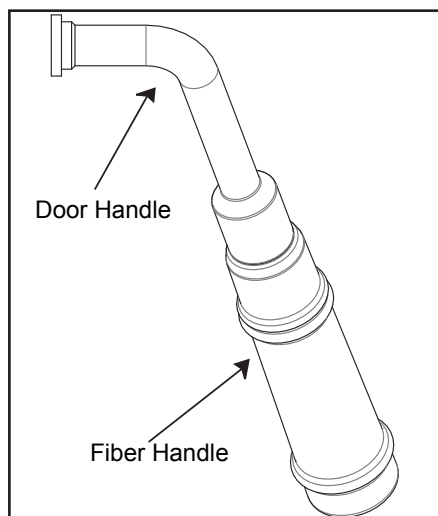


Figure 17.1

D. Blower (Optional)

Tools Required: #2 Phillips head screwdriver

1. Locate bolts supplied with the blower.
2. Align holes in mounting flange of blower with bolt holes in appliance. Blower should be positioned at bottom of rear outer skin as shown in **Figure 17.2**
3. Re-insert and tighten bolts, securing blower onto outer wall of appliance.
4. Place the bracket containing the snap disc and magnet under the bottom left rear corner.

See **Owner's Manual** for detailed operating instructions for the blower and snap disc.

CAUTION



Shock Risk.

- Do NOT remove grounding prong from plug.
- Route cord away from appliance.
- Do NOT route cord under or in front of appliance.
- Plug directly into properly grounded 3 prong receptacle.

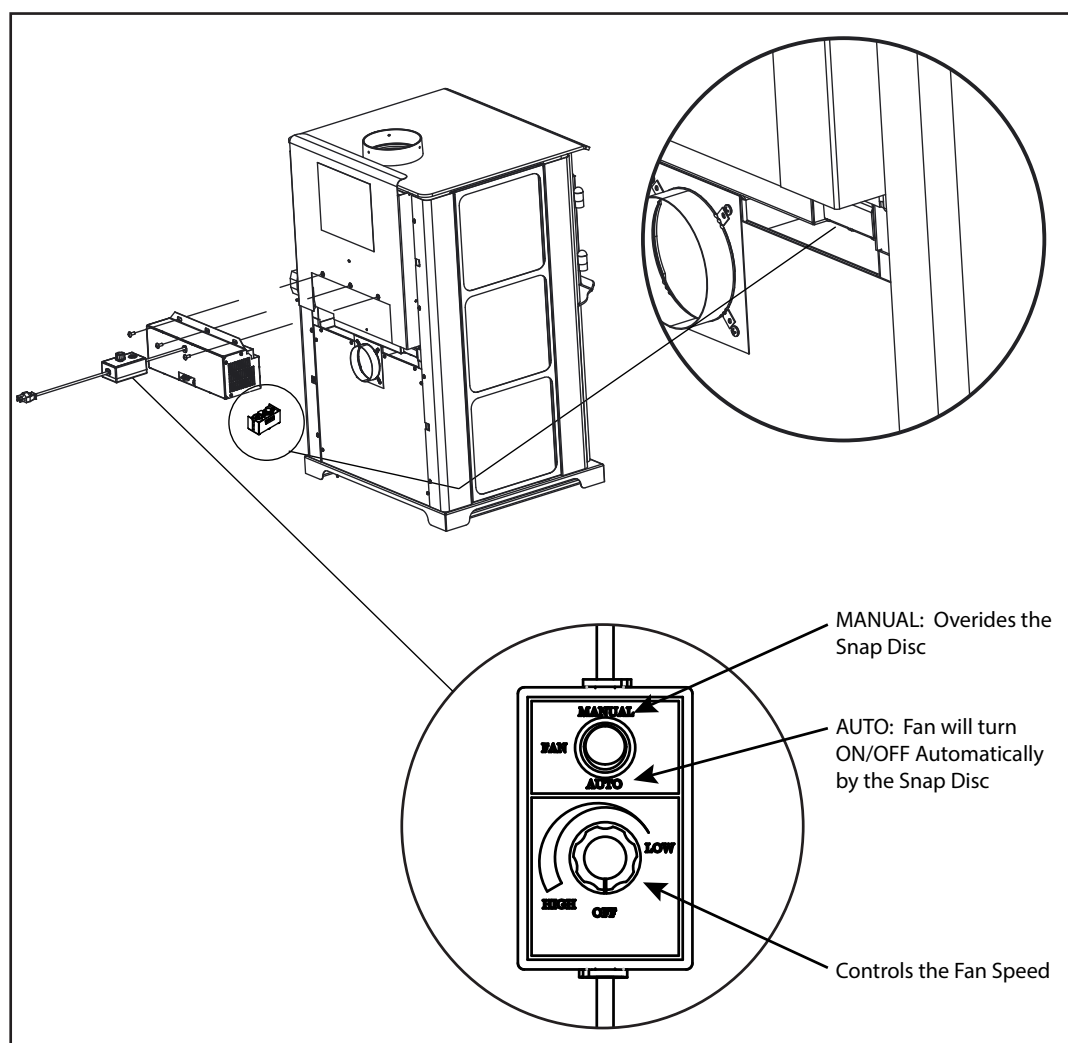


Figure 17.2

6 Mobile Home Installation

You must use a Quadra-Fire Outside Air Kit Part OAK-ACC; which is available from you dealer, for installation in a mobile home.

1. An outside air inlet must be provided for combustion.
2. Appliance must be secured to the mobile home structure by bolting the legs to the floor.
3. Appliance must be grounded with #8 solid copper grounding wire or equivalent and terminated at each end with N.E.C. approved grounding device.
4. Appliance must be installed with an approved UL103 HT ventilated chimney connector, UL103 HT chimney, and terminal cap with spark arrestor. Never use a single wall connector (appliance pipe) in a mobile home installation. Use only double-wall connector pipe, Dura-Vent DVL, Selkirk metalbestos DS or Security DL double-wall connector or any listed double-wall connector pipe.
5. In Canada, this appliance must be connected to a 6 inch (152mm) factory-built chimney conforming to CAN/ULC-629M, STANDARD FOR FACTORY BUILT CHIMNEYS.
6. Follow the chimney and chimney connector manufacturer's instructions when installing the flue system for use in a mobile home.
7. Maintain clearance to combustibles.
8. Floor protection requirements must be followed precisely.
9. Use silicone to create an effective vapor barrier at the location where the chimney or other component penetrates to the exterior of the structure.

NOTE: Offsets from the vertical, not exceeding 45°, are allowed per Section 905(a) of the Uniform Mechanical Code (UMC). Offsets greater than 45° are considered horizontal and are also allowed, providing the horizontal run does not exceed 75% of the vertical height of the vent. Construction, clearance and termination must be in compliance with the UMC Table 9C. This installation must also comply with NFPA 211.

NOTE: Top sections of chimney must be removable to allow maximum clearance of 13.5 feet (411cm) from ground level for transportation purposes.

10. Burn seasoned cord wood only. Other types of fuels may generate poisonous gases (e.g., carbon monoxide).
11. If appliance burns poorly while an exhaust blower is on in home, (i.e., range hood), increase combustion air.
12. Installation shall be in accordance with the Manufacturers Home & Safety Standard (HUD) CFR 3280, Part 24.

CAUTION

THE STRUCTURAL INTEGRITY OF THE MOBILE HOME FLOOR, WALL AND CEILING/ROOF MUST BE MAINTAINED

Do NOT cut through:

- Floor joist, wall, studs or ceiling trusses.
- Any supporting material that would affect the structural integrity.

WARNING



Asphyxiation Risk.

NEVER INSTALL IN A SLEEPING ROOM.

Consumes oxygen in the room.

7 Accessory List



DISCOVERY-I

Beginning Manufacturing Date: July 2016
Ending Manufacturing Date: Active

IMPORTANT: THIS IS DATED INFORMATION. Parts must be ordered from a dealer or distributor. **Hearth and Home Technologies does not sell directly to consumers.** Provide model number and serial number when requesting service parts from your dealer or distributor.



**Stocked
at Depot**

ITEM	DESCRIPTION	COMMENTS	PART NUMBER	
ACCESSORIES				
	Blower Assembly		BK-ACC	
	Blower Control Box w/Switch		SRV7000-194	Y
	Blower, Convection		812-4900	Y
	Component Pack		SRV7033-051	
	Snap Disc Bracket Assembly		SRV7033-036	
	Snap Disc, # 1, Convection Blower		SRV230-0470	Y
	Wire Harness, Blower		7033-262	
	Logo, Quadra-Fire	Pkg of 10	7000-649/10	
	Outside Air Kit, Floor & Rear		OAK-ACC	

QUADRA-FIRE®

NOTHING BURNS LIKE A QUAD

CONTACT INFORMATION

Hearth & Home Technologies
1445 North Highway
Colville, WA 99114
Division of HNI INDUSTRIES

Please contact your Quadra-Fire dealer with any questions or concerns.
For the number of your nearest Quadra-Fire dealer
log onto www.quadrafire.com

CAUTION



DO NOT DISCARD THIS MANUAL

- Important operating and maintenance instructions included.
- Read, understand and follow these instructions for safe installation and operation.
- Leave this manual with party responsible for use and operation.

DO NOT
DISCARD

We recommend that you record the following pertinent information for your heating appliance.

Date purchased/installed: _____

Serial Number: _____ Location on appliance: _____

Dealership purchased from: _____ Dealer phone: _____

Notes: _____

This product may be covered by one or more of the following patents: (United States) 5341794, 5263471, 6688302, 7216645, 7047962 or other U.S. and foreign patents pending.