



heatilator®  
*The first name in fireplaces*

# Constitution

EPA Phase II Compliant wood-burning fireplace

# Constitution EPA Phase II Compliant wood-burning fireplace

## Exceptional Value Proven Dependability

Enjoy intense, efficient fires in any environment. This wood-burning powerhouse exceeds the strictest environmental standards in the nation. Proven technology delivers precision start-up and air control for clean, consistent burns and extended performance. Sit back, relax and let the Constitution blaze.

### Features

- 74,900 BTU<sup>4</sup>—heats 1,000 to 2,600 sq. ft. <sup>1</sup>
- 2.7 cu. ft. interior capacity / 24" maximum log length
- Up to 10 hours of burn time from each load of wood
- Dual 140 CFM fans

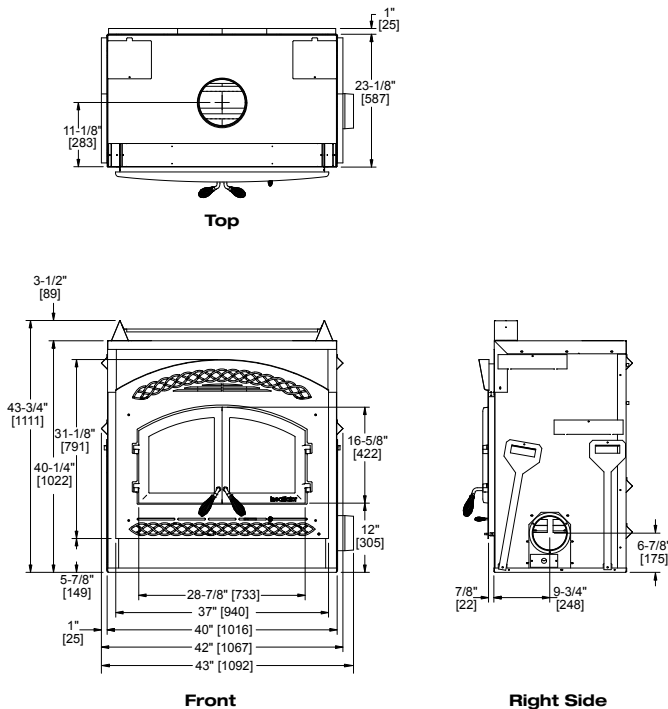
### Options

- Fire screen
- Heat distribution kit
- Hearth extension <sup>2</sup>
- Lintel bar

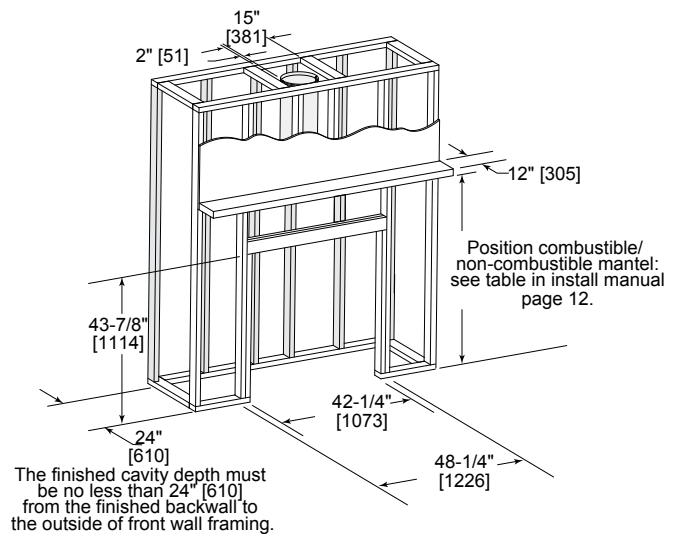


Above & Cover: Constitution shown standard.

## Dimensions



## Framing Dimensions



Available From

**heatilator**  
The first name in fireplaces

Phone: 800-927-6841  
Web: heatilator.com

facebook.com/Heatilator  
twitter.com/Heatilator  
youtube.com/HeatilatorFireplaces

### Limited Lifetime Warranty<sup>3</sup>

The strongest in the industry, Heatilator provides a limited lifetime warranty on wood-burning products of the most important aspects: firebox and heat exchanger.

<sup>1</sup> See your local authorized Heatilator dealer for help in determining the product that best suits your heating needs based on climate and home efficiency.

<sup>2</sup> Required for installation

<sup>3</sup> For full warranty details go to heatilator.com.

<sup>4</sup> BTU: 1st hour output uses high burn efficiency number.

The information provided in this literature is for planning purposes only and subject to change. Please consult the installation manual for actual installation. Actual product appearance may differ from product images. Fireplace glass and other surfaces get extremely HOT and can cause severe burns if touched. Keep a safe distance away. To learn more visit [www.heatilator.com/fireplacesafety](http://www.heatilator.com/fireplacesafety)



HTL-1025U-0715