

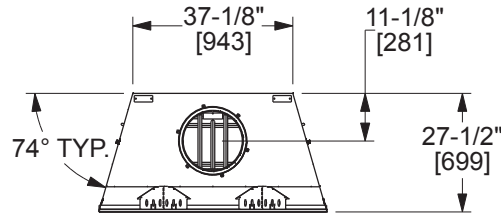


Please consult the manufacturer's installation manual for all details and requirements before making a final design layout decision.

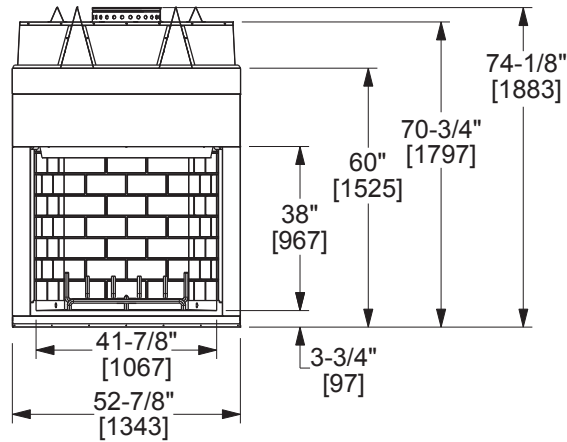
Castlewood

42" Outdoor Wood Fireplace

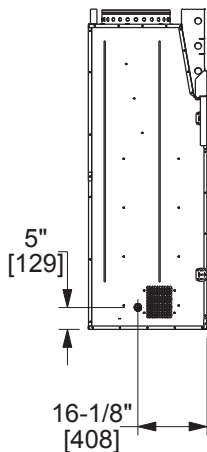
MODEL	FRONT WIDTH		BACK WIDTH		HEIGHT		DEPTH		FIREBOX OPENING
	Actual	Framing	Actual	Framing	Actual	Framing	Actual	Framing	
CASTLEWOOD	52-7/8	53-7/8	37-1/8	53-7/8	74-1/8	74-1/2	27-1/2	28-3/8	41-7/8 x 38



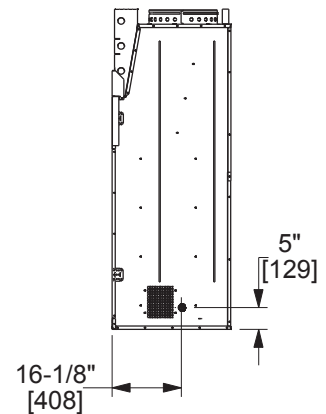
Top View



Front View

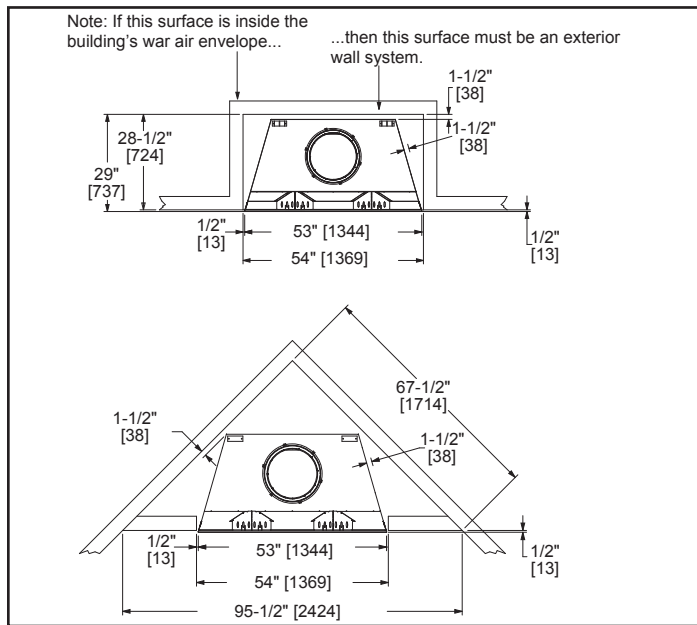


Left Side View

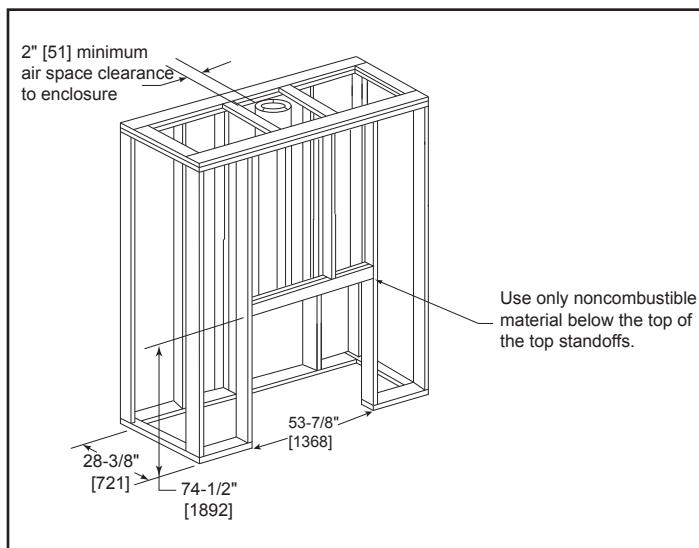


Right Side View

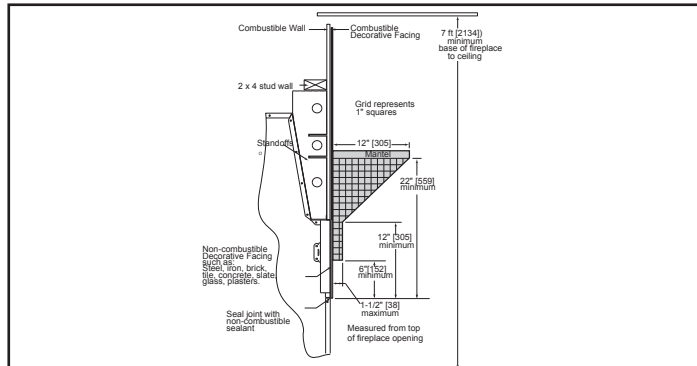
APPLIANCE LOCATION



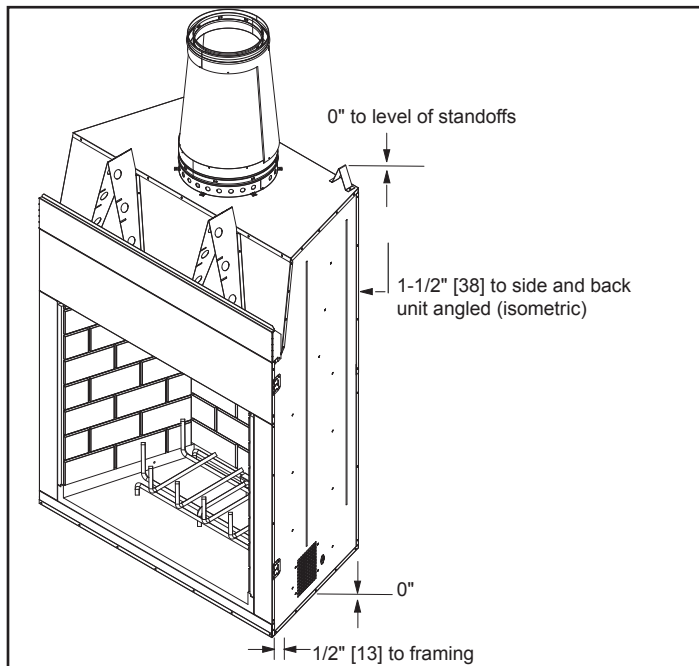
FRAMING DIMENSIONS



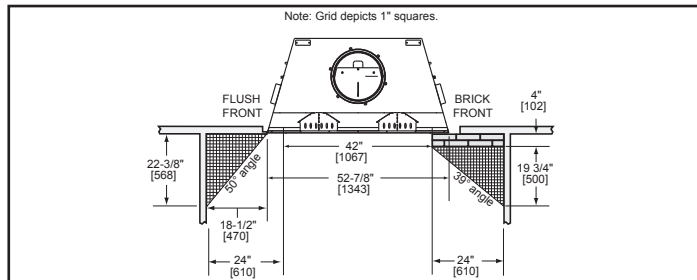
MANTEL PROJECTIONS



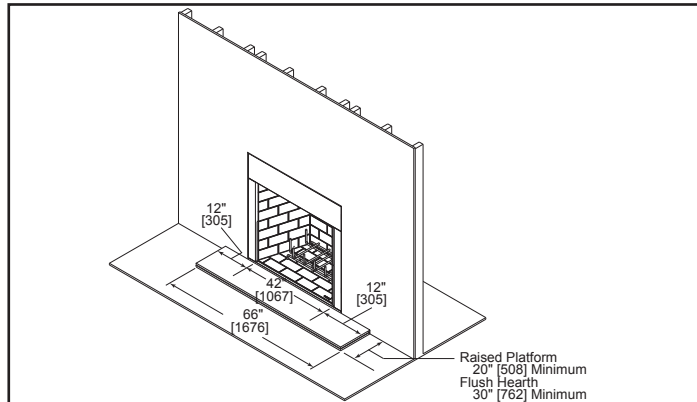
CLEARANCES TO COMBUSTIBLES



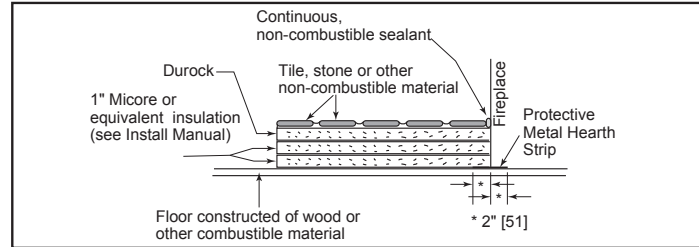
MANTEL LEG/WALL PROJECTIONS



HEARTH EXTENSION



HEARTH EXTENSION CONSTRUCTION



PRODUCT LISTING CODES	
US	UL127
CAN	ULC-S610-M87

Product information provided is not complete and is subject to change without notice. Product installation must adhere strictly to instructions accompanying product to avoid risk of fire and potential injury.

Additional information can be found online at www.fireplaces.com